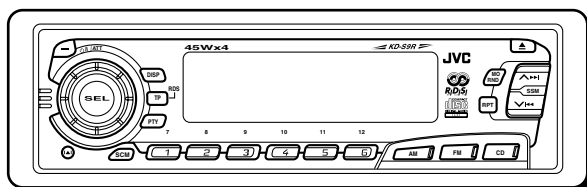
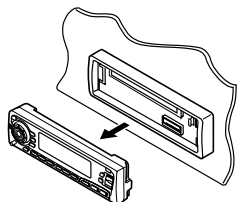


JVC

SERVICE MANUAL

CD RECEIVER

KD-S9R




Area Suffix
E --- Continental Europe

Contents

Safety precaution	1-2
Preventing static electricity	1-3
Disassembly method	1-4
Adjustment method	1-9
Flow of functional operation unit TOC read	1-10
Maintenance of laser pickup	1-11
Description of major ICs	1-12

Safety precaution

 **CAUTION** Burrs formed during molding may be left over on some parts of the chassis. Therefore, pay attention to such burrs in the case of performing repair of this system.

 **CAUTION** Please use enough caution not to see the beam directly or touch it in case of an adjustment or operation check.

Preventing static electricity

1. Grounding to prevent damage by static electricity

Electrostatic discharge (ESD), which occurs when static electricity stored in the body, fabric, etc. is discharged, can destroy the laser diode in the traverse unit (optical pickup). Take care to prevent this when performing repairs.

2. About the earth processing for the destruction prevention by static electricity

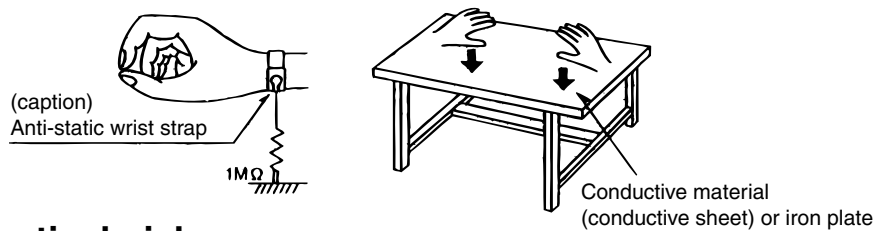
Static electricity in the work area can destroy the optical pickup (laser diode) in devices such as CD players. Be careful to use proper grounding in the area where repairs are being performed.

2-1 Ground the workbench

Ground the workbench by laying conductive material (such as a conductive sheet) or an iron plate over it before placing the traverse unit (optical pickup) on it.

2-2 Ground yourself

Use an anti-static wrist strap to release any static electricity built up in your body.



3. Handling the optical pickup

1. In order to maintain quality during transport and before installation, both sides of the laser diode on the replacement optical pickup are shorted. After replacement, return the shorted parts to their original condition. (Refer to the text.)
2. Do not use a tester to check the condition of the laser diode in the optical pickup. The tester's internal power source can easily destroy the laser diode.

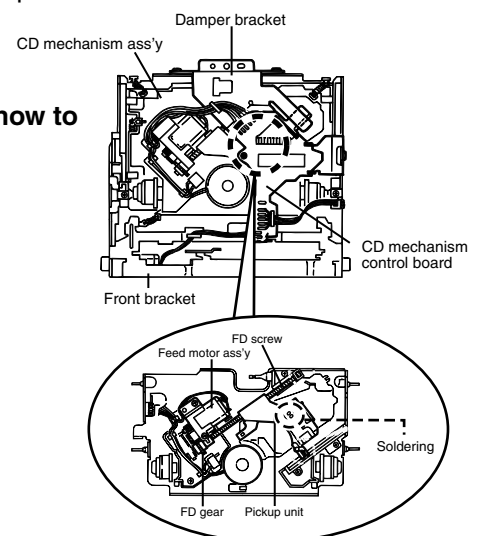
4. Handling the traverse unit (optical pickup)

1. Do not subject the traverse unit (optical pickup) to strong shocks, as it is a sensitive, complex unit.
2. Cut off the shorted part of the flexible cable using nippers, etc. after replacing the optical pickup. For specific details, refer to the replacement procedure in the text. Remove the anti-static pin when replacing the traverse unit. Be careful not to take too long a time when attaching it to the connector.
3. Handle the flexible cable carefully as it may break when subjected to strong force.
4. It is not possible to adjust the semi-fixed resistor that adjusts the laser power. Do not turn it

Attention when traverse unit is decomposed

***Please refer to "Disassembly method" in the text for pick-up and how to detach the substrate.**

1. Solder is put up before the card wire is removed from connector on the CD substrate as shown in Figure.
(When the wire is removed without putting up solder, the CD pick-up assembly might destroy.)
2. Please remove solder after connecting the card wire with when you install picking up in the substrate.



Disassembly method

■ Removing the front panel unit (See Fig. 1, 2)

1. Press the Eject button to open the front panel unit
2. Push and open the right and left open/close shaft arms outward to remove the shaft.
3. Remove the front panel unit from the same side as the shaft was removed.



Fig 1

■ Removing the front chassis assembly (See Fig. 3, 4)

1. Remove the front panel unit.
2. Remove the two screws **A** attaching the front chassis assembly.
3. Remove the four ribs **a** attaching the front chassis assembly to the chassis.

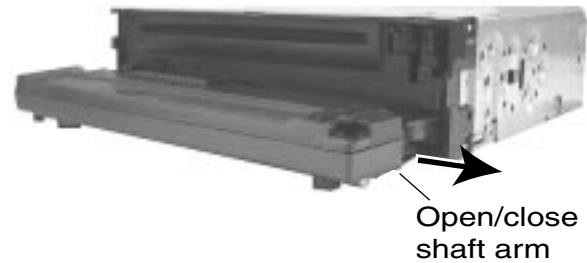


Fig 2

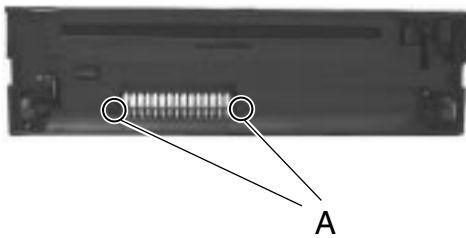


Fig 3

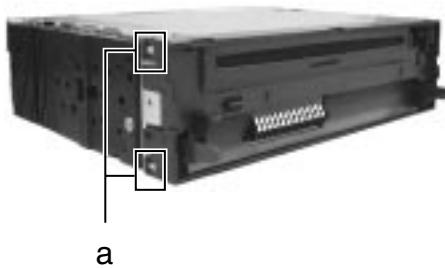


Fig 4



■ Removing the bottom cover assembly (See Fig. 5)

Turn the unit upside down, then insert and turn to **b** the screwdriver to remove the bottom cover.

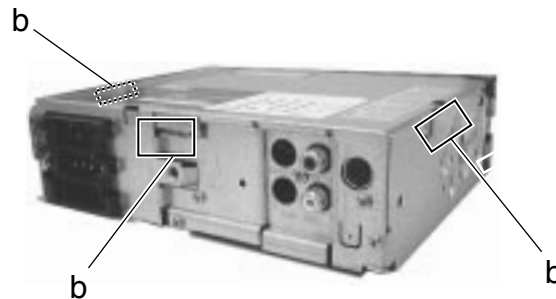


Fig 5

**■ Removing the main board(wiht rear panel)
(See Fig. 6, Fig. 7)**

- 1.Remove three screws **E** retaining the rear panel to the chassis
- 2.Remove one screw **C** retaining the IC to the heat sink.
- 3.Remove two screws **D** retaining the main board.
- 4.Lift up the main board to remove it.
- 5.Remove two screws **B** to remove the heat sink.

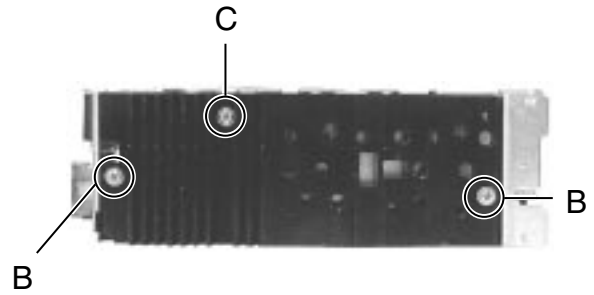


Fig 6

■ Removing the rear bracket (See Fig. 7)

- 1.Remove one screw **I** to remove the IC bracket.
- 2.Remove one screw **F** to remove the line-out jack.
- 3.Remove one screw **G** to remove the antenna jack.

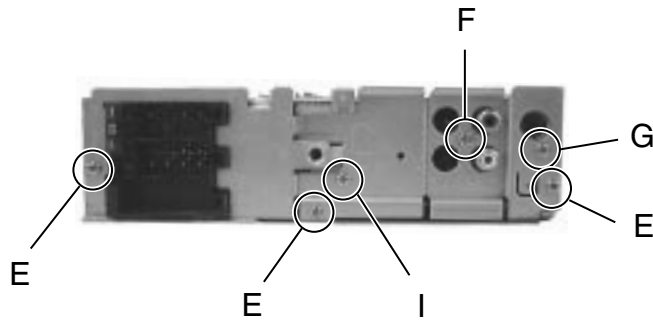


Fig 7-2

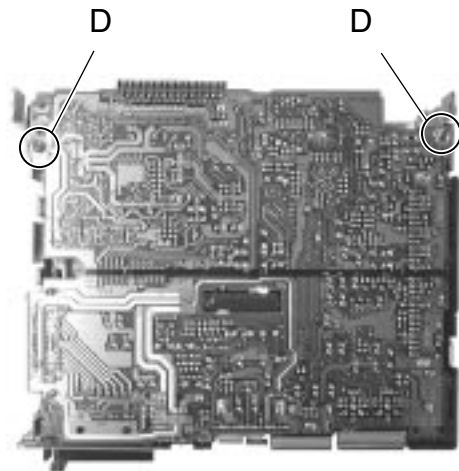


Fig 7-1

■ CD mechanism assembly (See Fig. 8)

Remove three mechanism mounting screws **J** retaining the top cover.

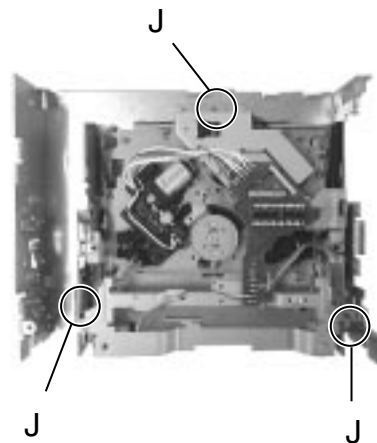


Fig 8

■ Front panel unit (See Fig.9)

Remove five screws **K** retaining the rear cover.

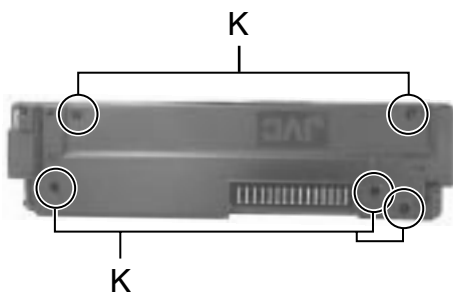


Fig 9

■ **Removing the CD mechanism control board (See Fig.1 and 2)**

Unsolder the part f and g on the CD mechanism control board.

Remove the stator fixing the CD mechanism control board and the damper bracket (To remove the stator smoothly, pick up the center part).

Remove the screw F attaching the CD mechanism control board.

Remove the CD mechanism control board in the direction of the arrow while releasing it from the two damper bracket slots i and the front bracket slot j.

Disconnect the flexible wire from connector on the pickup unit.

ATTENTION: Turn the FD gear in the direction of the arrow to move the entire pickup unit to the appropriate position where the flexible wire of the CD mechanism unit can be disconnected easily (Refer to Fig.2).

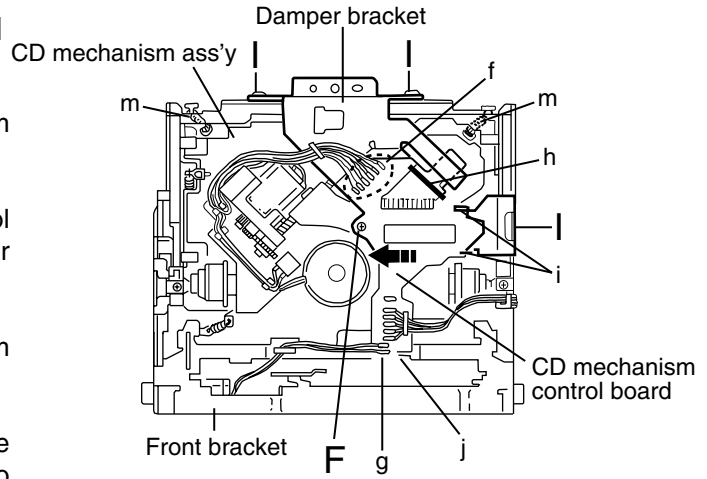


Fig.1

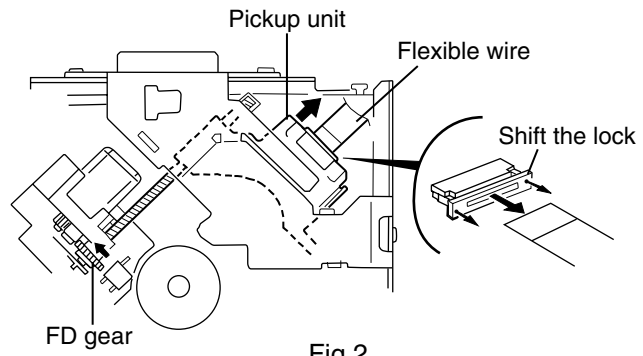


Fig.2

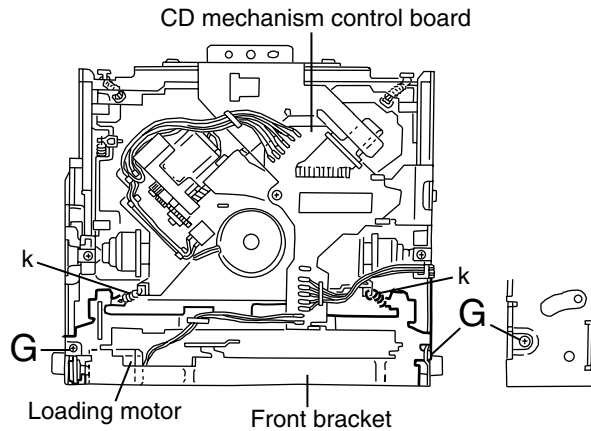


Fig.3

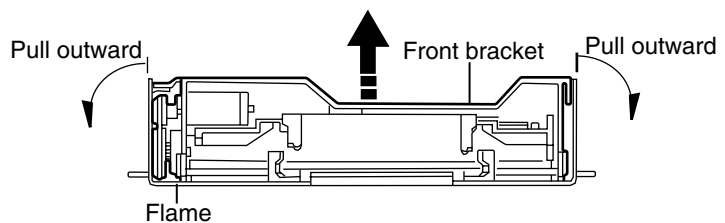


Fig.4

**■ Removing the loading motor
(See Fig.3 to 5)**

* Prior to performing the following procedure, remove the CD mechanism control board.

1. Remove the two springs k attaching the CD mechanism ass'y and the front bracket.
2. Remove the two screws G and the front bracket while pulling the flame outward.
3. Remove the belt and the screw H from the loading motor.

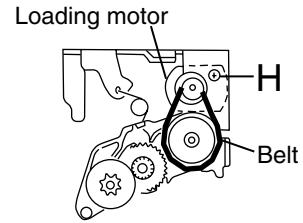


Fig.5

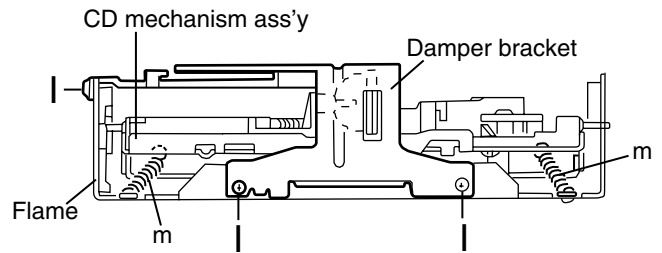


Fig.6

**■ Removing the CD mechanism ass'y
(See Fig.1, 6 to 9)**

* Prior to performing the following procedure, remove the CD mechanism control PWB and the front bracket (loading motor).

1. Remove the three screws I and the damper bracket.
2. Raise the both sides fix arms and move the fix plates in the direction of the arrow to place the four shafts I as shown in Fig.8 and 9.
3. Remove the CD mechanism ass'y and the two springs m attaching the flame.
4. Remove the two screws J and both sides rear damper brackets from the dampers. Detach the CD mechanism ass'y from the left side to the right side.

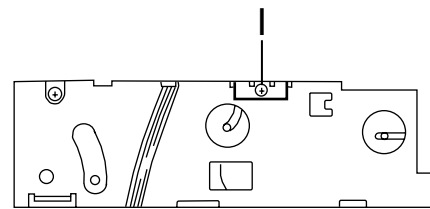


Fig.7

ATTENTION: The CD mechanism ass'y can be removed if only the rear damper bracket on the left side is removed.

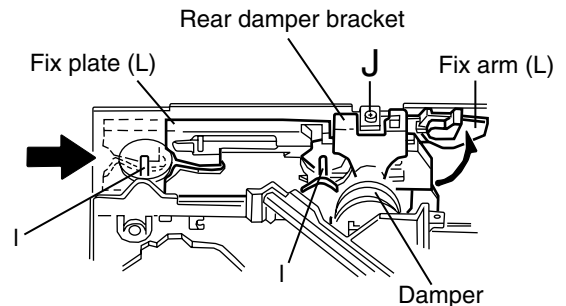


Fig.8

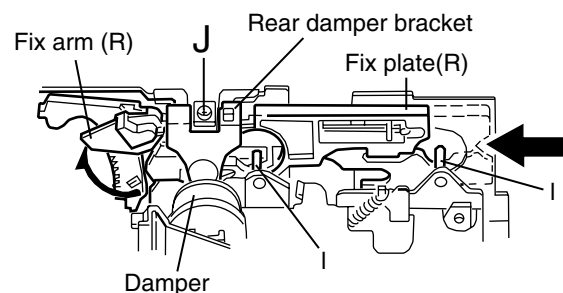


Fig.9

■ Removing the feed motor ass'y
(See Fig.10)

* Prior to performing the following procedure, remove the CD mechanism control board, the front bracket (loading motor) and the CD mechanism ass'y.

1. Remove the two screws K and the feed motor ass'y.

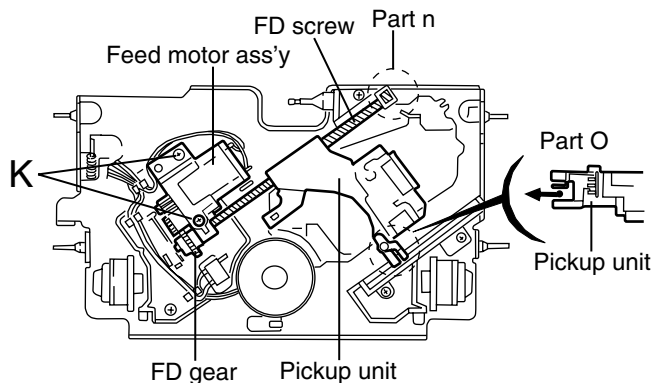


Fig.10

■ Removing the pickup unit
(See Fig.10 and 11)

* *Prior to performing the following procedure, remove the CD mechanism control board, the front bracket (loading motor), the CD mechanism ass'y and the feed motor ass'y.

1. Detach the FD gear part of the pickup unit upward. Then remove the pickup unit while pulling out the part n of the FD screw.

ATTENTION: When reattaching the pickup unit, reattach the part o of the pickup unit, then the part n of the FD screw.

2. Remove the screw L attaching the nut push spring plate and the pickup mount nut from the pickup unit. Pull out the FD screw.

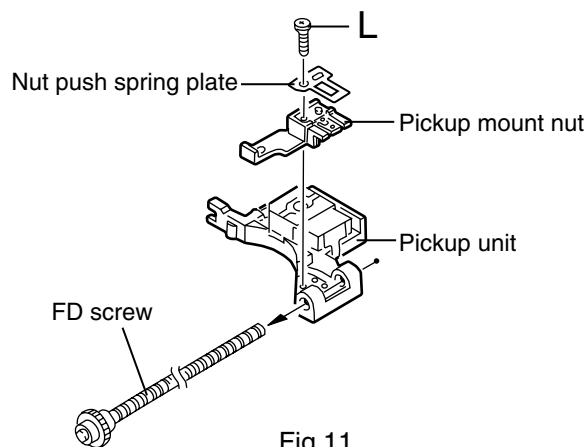


Fig.11

■ Removing the spindle motor
(See Fig.12 and 13)

* Prior to performing the following procedure, remove the CD mechanism control board, the front bracket (loading motor), the CD mechanism ass'y and the feed motor ass'y.

1. Turn up the CD mechanism ass'y and remove the two springs p on both sides of the clamber arms. Open the clamber arm upward.
2. Turn the turn table, and remove the two screws M and the spindle motor.

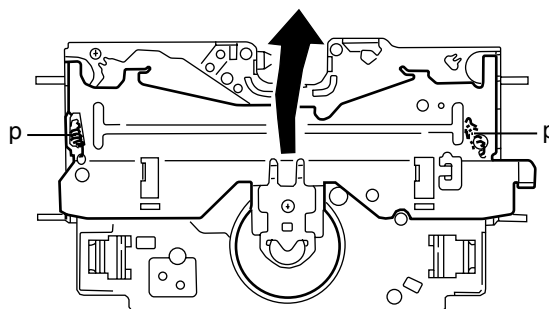


Fig.12

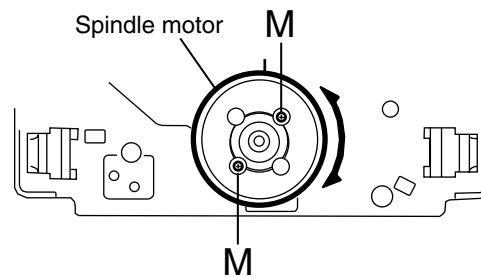


Fig.13

Adjustment method

■ Test instruments required for adjustment

1. Digital oscilloscope(100MHz)
2. AM Standard signal generator
3. FM Standard signal generator
4. Stereo modulator
5. Electric voltmeter
6. Digital tester
7. Tracking offset meter
8. Test Disc JVC:CTS-1000
9. Extension cable for check
EXTGS004-26P x 1

■ Standard volume position

Balance and Bass & Treble volume: Indication "0"
Loudness: OFF
BBE : OFF
Frequency Band

■ FM 87.5MHz ~ 108.0MHz

MW 522kHz ~ 1620 kHz
LW 144kHz ~ 279kHz

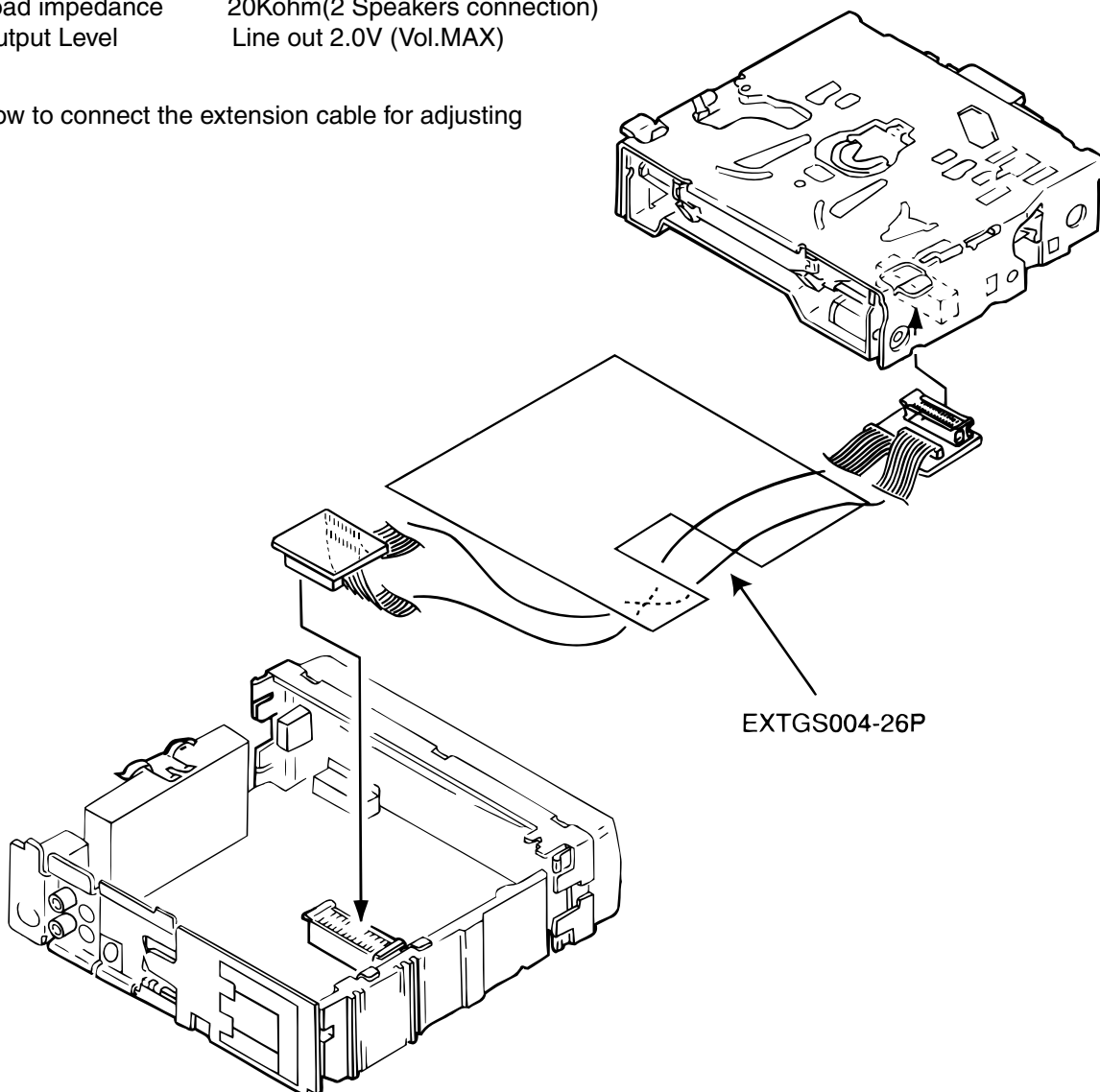
■ Dummy load

Exclusive dummy load should be used for AM, and FM, For FM dummy load, there is a loss of 6dB between SSG output and antenna input, The loss of 6dB need not be considered since direct reading of figures are applied in this working standard.

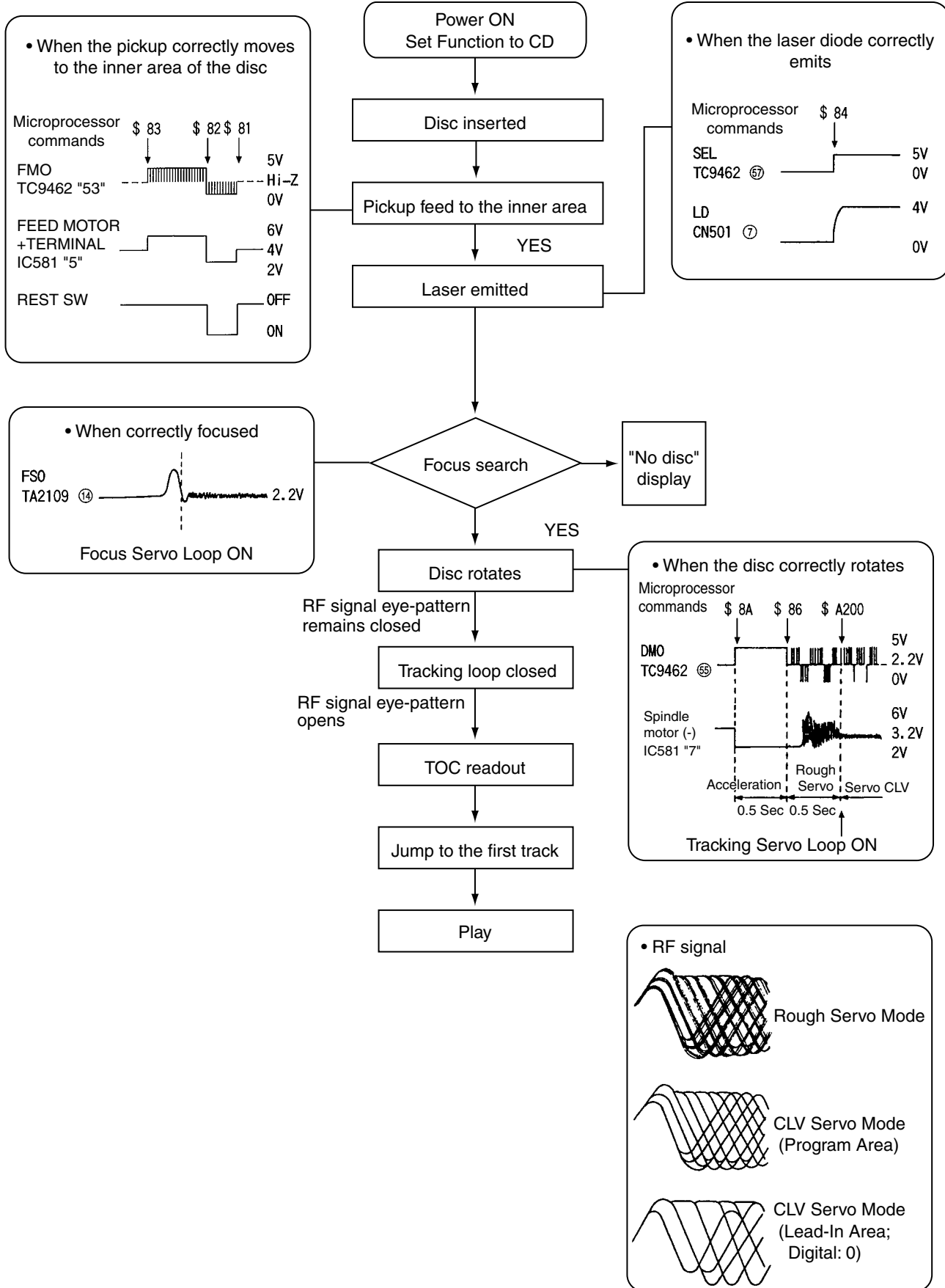
■ Standard measuring conditions

Power supply voltage DC14.4V(10.5~16V)
Load impedance 20Kohm(2 Speakers connection)
Output Level Line out 2.0V (Vol.MAX)

■ How to connect the extension cable for adjusting

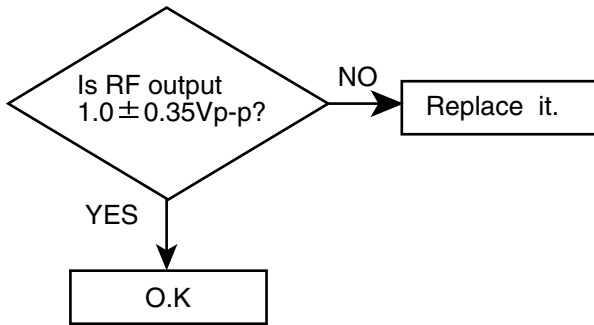


Flow of functional operation until TOC read



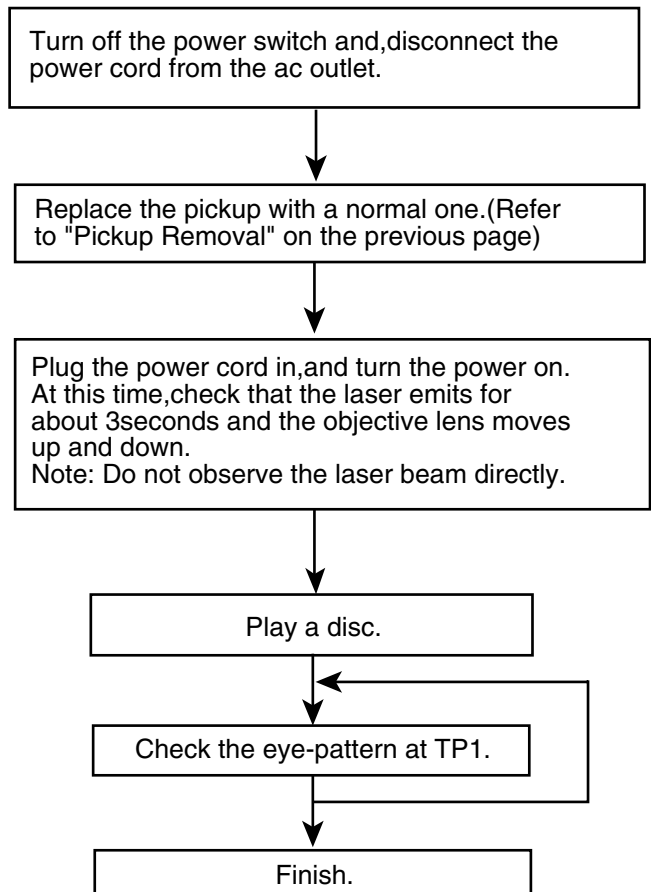
Maintenance of laser pickup

- (1) Cleaning the pick up lens
Before you replace the pick up, please try to clean the lens with a alcohol soaked cotton swab.
- (2) Life of the laser diode
When the life of the laser diode has expired, the following symptoms will appear.
 - (1) The level of RF output (EFM output:amplitude of eye pattern) will be low.



- (3) Semi-fixed resistor on the APC PC board
The semi-fixed resistor on the APC printed circuit board which is attached to the pickup is used to adjust the laser power. Since this adjustment should be performed to match the characteristics of the whole optical block, do not touch the semi-fixed resistor.
If the laser power is lower than the specified value, the laser diode is almost worn out, and the laser pickup should be replaced.
If the semi-fixed resistor is adjusted while the pickup is functioning normally, the laser pickup may be damaged due to excessive current.

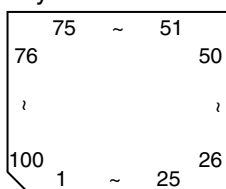
Replacement of laser pickup



Description of major ICs

■UPD784215AGC126(IC701):DSP controller

1. Terminal layout

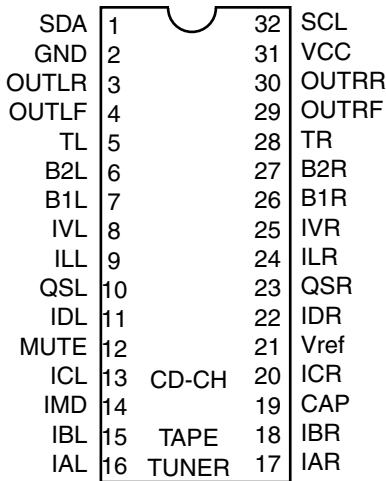


2. Pin function

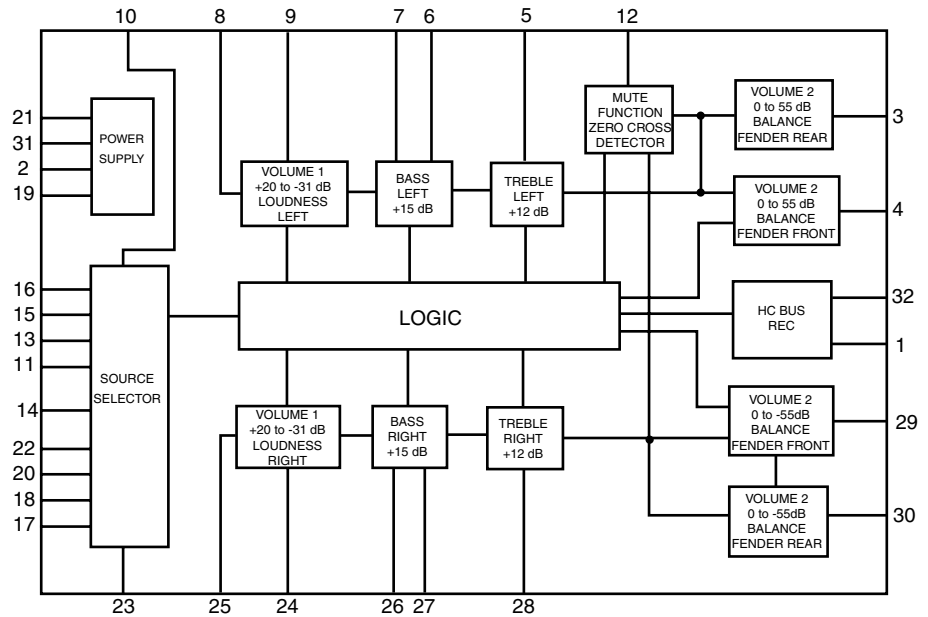
Pin No.	Symbol	I/O	Function
1~8		-	Unused terminal
9	VDD	-	Power supply terminal
10	X2	O	Crystal oscillation terminal 6.14MHz (main clock)
11	X1	I	Crystal oscillation terminal 6.14MHz (main clock)
12	VSS	-	Connects to ground
13	XT2	-	Unused terminal
14	XT1	-	Unused terminal
15	RESET	I	Reset signal input
16	AUTODATA	I	DSP general-purpose port output interrupt
17	LOCK	I	DSP general-purpose port output interrupt
18	DIGITAL0	I	DSP general-purpose port output interrupt
19	FORMAT	I	DSP general-purpose port output interrupt
20	CHANNEL	I	DSP general-purpose port output interrupt
21	ERR	I	DSP general-purpose port output interrupt
22	RSTDET	I	DSP general-purpose port output interrupt
23	AVDD	-	Power supply terminal
24	AVREF0	-	Connects to ground
25~32		-	Connects to ground
33	AVSS	-	Connects to ground
34,35		-	Unused terminal
36		-	Power supply terminal
37,38	RX,TX	-	Unused terminal
39		-	Unused terminal
40	DSPCOM	I	Communication port with IC401
41	DSPSTS	O	Status communication port to IC401
42	DSPCLK	I	Clock input from IC401
43	DSPRDY	I	Ready signal input from IC401
44		-	Unused terminal
45,46	MIDIO_IN/OUT	I/O	DSP-microcomputer I/F
47	MICK	O	Clock signal to IC631
48	MICS	O	Chip selection to IC631
49	MILP	O	DSP-microcomputer I/F
50	MIACK	O	DSP-microcomputer I/F
51,52		-	Unused terminal
53	DSPRST	O	Output of reset signal of DSP
54~63		-	Unused terminal
64,65	CDTI/CDTO	I/O	CODEC-microcomputer I/F
66	CCLK	O	Clock signal to IC601
67	CS	O	Chip selection to IC601
68	XTS	O	OSC selection
69,70		-	Unused terminal
71	PD	O	Reset signal output
72	GND	-	Connects to ground
73~80		-	Unused terminal
81	VDD	-	Power supply terminal
82	3D-ON	-	Unused terminal
83	3D-ON	O	Switches at the output destination of the surround channel
84	ANA/T-TONE	O	Test tone control
85	REF-MIX	O	Control at output destination of LFE channel
86		-	Unused terminal
87	D.MUTE	O	MUTE of digital out terminal
88	S.MUTE	O	Audio signal MUTE
89		-	Unused terminal
90~93	ASW1~4	O	Digital input selection
94	TEST	-	Test terminal
95~100		-	Unused terminal

TEA6320T-X (IC161) : E.volume

1.Pin layout



2.Block diagram

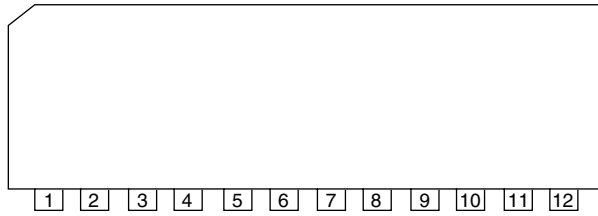


3.Pin functions

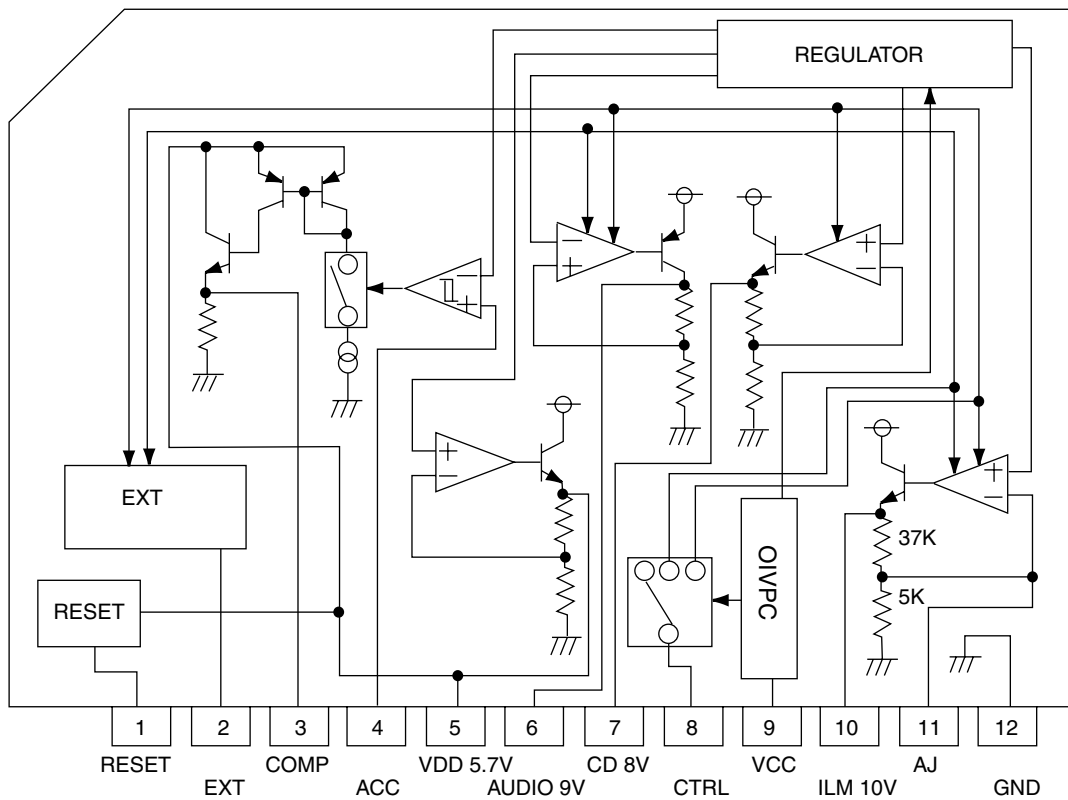
Pin No.	Symbol	I/O	Functions	Pin No.	Symbol	I/O	Functions
1	SDA	I/O	Serial data input/output.	17	IAR	I	Input A right source.
2	GND	-	Ground.	18	IBR	I	Input B right source.
3	OUTLR	O	output left rear.	19	CAP	-	Electronic filtering for supply.
4	OUTLF	O	output left front.	20	ICR	I	Input C right source.
5	TL	I	Treble control capacitor left channel or input from an external equalizer.	21	Vref	-	Reference voltage (0.5Vcc)
6	B2L	-	Bass control capacitor left channel or output to an external equalizer.	22	IDR	-	Not used
7	B1L	-	Bass control capacitor left channel.	23	QSR	O	Output source selector right channel.
8	IVL	I	Input volume 1. left control part.	24	ILR	I	Input loudness right channel.
9	ILL	I	Input loudness. left control part.	25	IVR	I	Input volume 1. right control part.
10	QSL	O	Output source selector. left channel.	26	B1R	-	Bass control capacitor right channel
11	IDL	-	Not used	27	B2R	O	Bass control capacitor right channel or output to an external equalizer.
12	MUTE	-	Not used	28	TR	I	Treble control capacitor right channel or input from an external equalizer.
13	ICL	I	Input C left source.	29	OUTRF	O	Output right front.
14	IMO	-	Not used	30	OUTRR	O	Output right rear.
15	IBL	I	Input B left source.	31	Vcc	-	Supply voltage.
16	IAL	I	Input A left source.	32	SCL	I	Serial clock input.

■ BA4905-V3 (IC901) : Regulator

1. Terminal layout



2. Block diagram



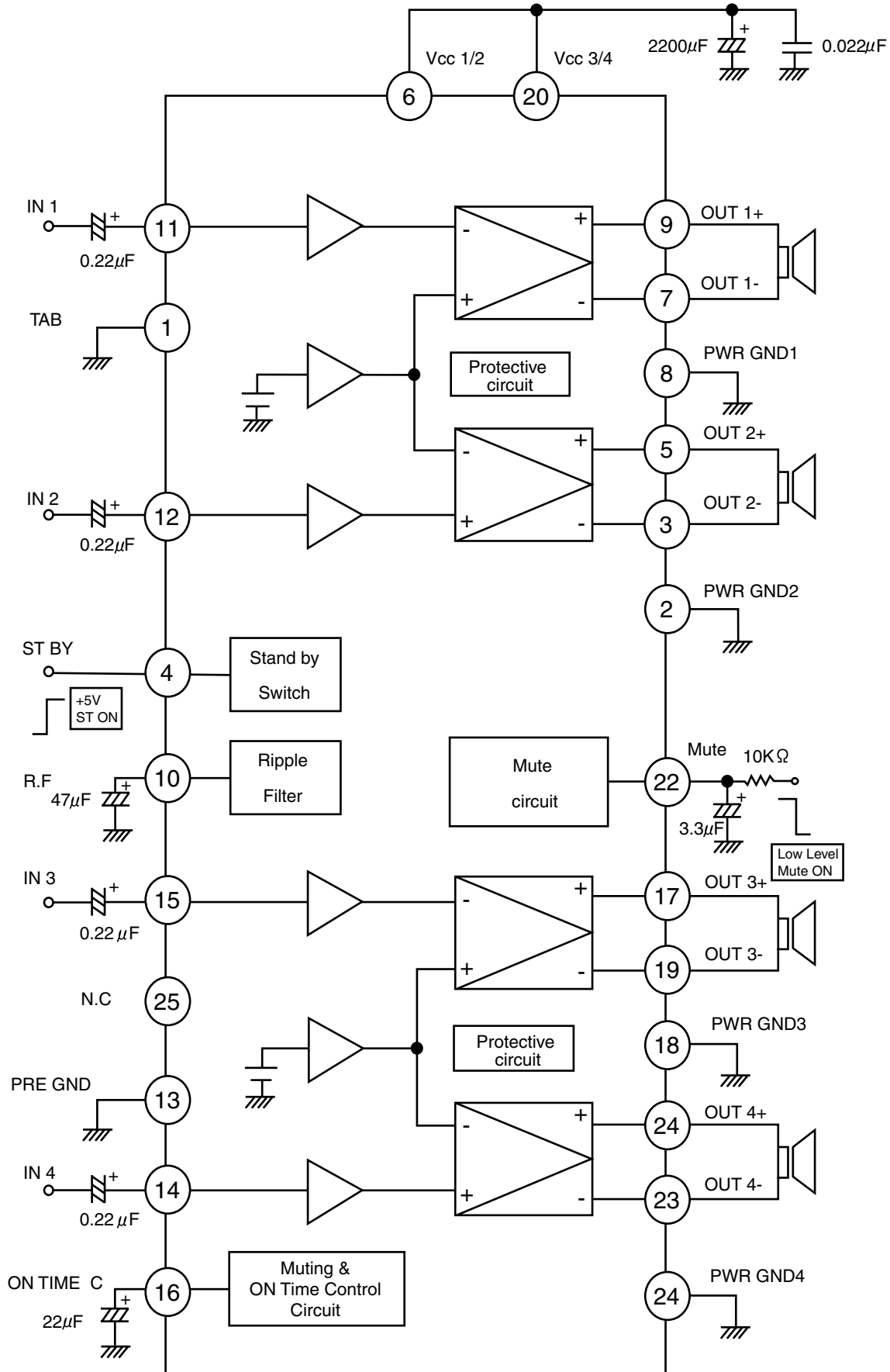
© Explanation of terminals

BA4905-V3

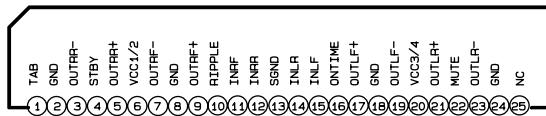
1	RESET	If VDD voltage becomes 4V or less, RESET output becomes low level.
2	EXT output	This output voltage is approximately 0.5V lower than VCC, and max output current is 300mA.
2	COMP output	A voltage supply for ACC block this output voltage is approximately 0.7V lower than VDD'S. The max output current is 100mA.
4	ACC	Control of the COMP output by inputting voltage.
5	VDD output	This output voltage is 5.7V, and max output current is 100mA. This voltage supply is for microcomputer. Whenever block up voltage supply is connected. the output keeps on running.
6	AUDIO output	This output voltage is 9.0V, and max output current is 500mA. This voltage supply for AUDIO.
7	CD output	This output voltage is 8.0V, and max output current is 1A. This voltage supply for CD.
8	CTRL	Output selector of CD, AUDIO,ILM and EXT.
9	VCC	To be connected with the BACK UP of car.
10	ILM output	This output voltage is 10V, and max output current is 500mA. Output voltage is adjustable.
11	AJ	Putting a resistance between ILM and AJ or between AJ and GND makes ILM output voltage adjustable.
12	GND	Ground.

■ LA4743B(IC301):Power AMP

1.Block diagram



2. Terminal layout

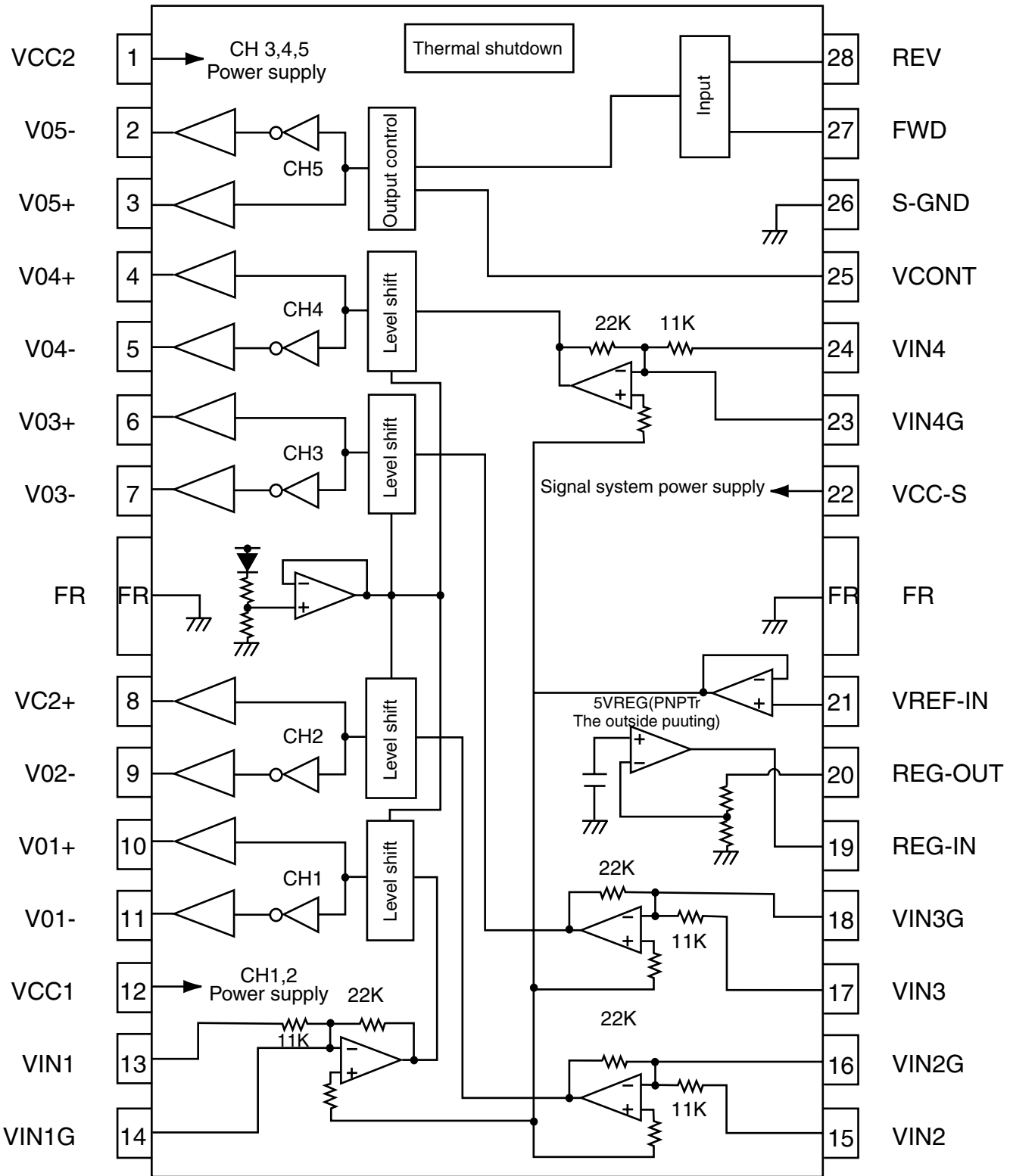


3. Pin function

Pin No.	Symbol	Function
1	TAB	Header of IC
2	GND	Power GND
3	OUTRR-	Outpur(-) for front Rch
4	STBY	Stand by input
5	OUTRR+	Output (+) for front Rch
6	VCC1/2	Power input
7	OUTRF-	Output (-) for rear Rch
8	GND	Power GND
9	OUTRF+	Output (+) for rear Rch
10	RIPPLE	Ripple filter
11	INRF	Rear Rch input
12	INRR	Front Rch input
13	SGND	Signal GND
14	INLR	Front Lch input
15	INLF	Rear Lch input
16	ONTIME	Power on time control
17	OUTLF+	Output (+) for rear Lch
18	GND	Power GND
19	OUTLF-	Output (-) for rear Lch
20	VCC3/4	Power input
21	OUTLR+	Output (+) for front
22	MUTE	Muting control input
23	OUTLR-	Output (-) for front
24	GND	Power GND
25	NC	Non connection

■ LA6567H-X(IC501):CD DRIVE

1.Pin layout & blockdiagram



2. Pin function

LA6567H-X(2/2)

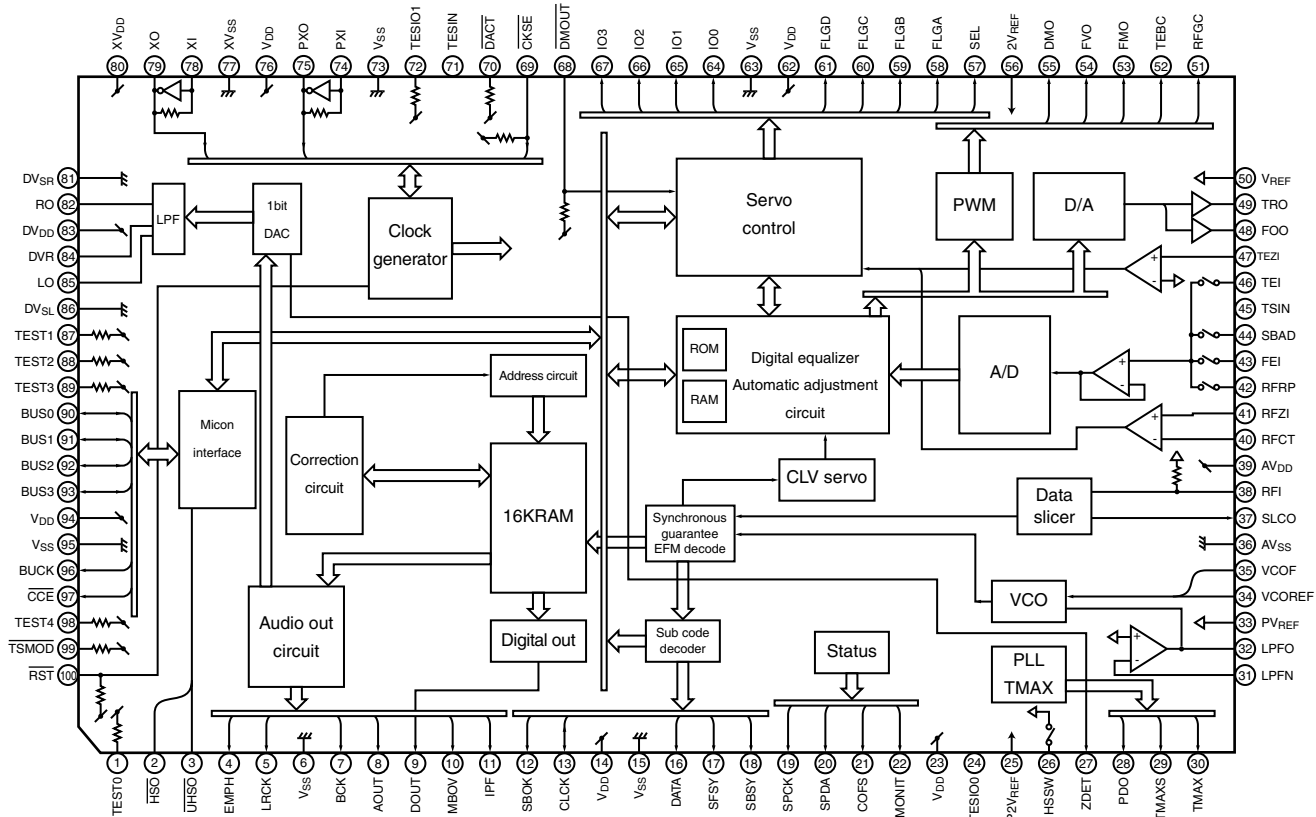
Pin no.	Symbol	Function
1	VCC2	CH3,4,5 Power supply(It is short with VCC1,VCC-S)
2	V05-	Loading output(-)
3	V05+	Loading terminal (+)
4	V04+	CH4 Output terminal(+)
5	V04-	CH4 Output terminal(-)
6	V03+	CH3 Output terminal(+)
7	V03-	CH3 Output terminal(-)
8	V02+	CH2 Output terminal(+)
9	V02-	CH2 Output terminal(-)
10	V01+	CH1 Output terminal(+)
11	V01-	CH1 Output terminal(-)
12	VCC1	CH1,2(BTL) Power supply(It is short with VCC-S,VCC2)
13	VIN1	CH1 Input terminal
14	VIN1G	CH1 Input terminal(For gain adjustment)
15	VIN2	CH2 Input terminal
16	VIN2G	CH2 Input terminal(For gain adjustment)
17	VIN3	CH3 Input terminal
18	VIN3G	CH3 Input terminal(For gain adjustment)
19	REG-IN	Regulator terminal(Outside putting PNP base)
20	REG-OUT	Regulator terminal(Outside putting PNP collector)
21	VREF-IN	Standard voltage input terminal
22	VCC-S	Signal system power supply(It is short with VCC1,VCC2)
23	VIN4G	CH4 Input terminal(For gain adjustment)
24	VIN4	CH4 Input terminal
25	VCONT	5CH(VLO) Output voltag set terminal
26	S-GND	Signal system GND
27	FWD	5CH(VLO)Signal output switch terminal(FWD),Input of logic of loading part 5CH(VLO)Signal output switch terminal(REV),
28	REV	Input of logic of loading part

* Frame(FR)at the center bocomes system GND power.

* Please be short-circuited on the outside and use the terminal of the power supply system and three teminals of VCC-S, VCC1,VCC2.

■ TC9462F(IC541):

1.Pin layout & Block Diagram



2.Pin function

PIN No.	SYMBOL	I/O	FUNCTIONAL DESCRIPTION	REMARKS															
1	TEST0	I	Test mode terminal. Normally, Keep at open.	With pull-up resistor.															
2	HSO	O	Playback speed mode flag output terminal.	-															
			<table border="1"> <thead> <tr> <th>UHSO</th> <th>HSO</th> <th>PLAYBACK SPEED</th> </tr> </thead> <tbody> <tr> <td>H</td> <td>H</td> <td>Normal</td> </tr> <tr> <td>H</td> <td>L</td> <td>2 times</td> </tr> <tr> <td>L</td> <td>H</td> <td>4 times</td> </tr> <tr> <td>L</td> <td>L</td> <td>--</td> </tr> </tbody> </table>		UHSO	HSO	PLAYBACK SPEED	H	H	Normal	H	L	2 times	L	H	4 times	L	L	--
			UHSO		HSO	PLAYBACK SPEED													
			H		H	Normal													
H	L	2 times																	
L	H	4 times																	
L	L	--																	
3	UHSO	O																	
4	EMPH	O	Subcode Q data emphasis flag output terminal. Emphasis ON at "H" level and OFF at "L" level. The output polarity can invert by command.	--															
5	LRCK	O	Channel clock output terminal. (44.1kHz) L-ch at "L" level and R-ch at "H" level. the output polarity can invert by command.	--															
6	VSS	--	Digital GND terminal.	--															
7	BCK	O	Bit clock output terminal. (1.4122MHz)	--															
8	AOUT	O	Audio data output terminal.	--															
9	DOUT	O	Digital data output terminal.	--															
10	MBOV	O	Buffer memory over signal output terminal. Over at "H" level.	--															
11	IPF	O	Correction flag output terminal. At "H" level, AOUT output is made to correction impossibility by C2 correction processing.	--															
12	SBOK	O	Subcode Q data CRCC check adjusting result output terminal. The adjusting result is OK at "H" level.	--															
13	CLCK	I/O	Subcode P~W data reabout clock input/output terminal. This terminal can select by command bit.	--															
14	VDD	--	Digital power supply voltage terminal.	--															
15	VSS	--	Digital GND terminal.	--															
16	DATA	O	Subcode P~W data output terminal.	--															
17	SFSY	O	Play-back frame sync signal output terminal.	--															
18	SBSY	O	Subcode block sync signal output terminal.	--															
19	SPCK	O	Processor status signal reabout clock output terminal.	--															
20	SADA	O	Processor status signal output terminal.	--															
21	COFS	O	Correction frame clock output terminal. (7.35kHz)	--															
22	MONIT	O	Internal signal (DSP internal flag and PLL clock) output terminal. Selected by command. This terminal output the text data with serial by command.	--															
23	VDD	--	Digital power supply voltage terminal.	--															
24	TESIO0	I	Test input/output terminal. Normally, keep at "L" level. The terminal that inputted the clock for read of text data by command.	--															
25	P2VREF	--	PLL double reference voltage supply terminal.	--															

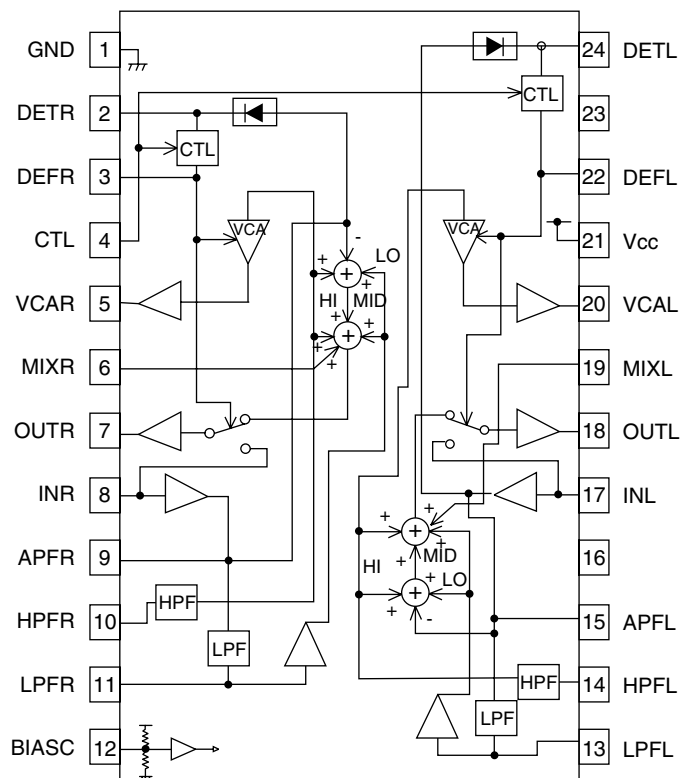
2.Pin Function (2/2)

TC9462F

Pin No.	Symbol	I/O	Function
40	RFCT	I	RFRP signal center level input terminal
41	RFZI	I	RFRP zero cross input terminal
42	RFRP	I	RF ripple signal input terminal
43	FEI	I	Focus error signal input terminal
44	SBAD	I	Sub-beam adder signal input terminal
45	TSIN	I	Test input terminal Normally, keep at "vref" level
46	TEI	I	Tracking error signal input terminal. Take in at tracking servo ON.
47	TEZI	I	Tracking error zero cross input terminal
48	FOO	O	Focus servo equalizer output terminal
49	TRO	O	Tracking servo equalizer output terminal
50	VREF	-	Analog reference voltage supply terminal
51	RFGC	O	RF amplitude adjustment control signal output terminal
52	TEBC	O	Tracking balance control signal output terminal
53	FMO	O	Feed equalizer output terminal
54	FVO	O	Speed error signal or feed search equalizer output terminal
55	DMO	O	Disk equalizer output terminal (PWM carrier=88.2kHz for DSP, Synchronize to PXO)
56	2VREF	-	Analog double reference voltage supply terminal
57	SEL	O	APC circuit ON/OFF indication signal output terminal
58~61	FLGA~D	O	External flag output terminal for internal signal
62	VDD	-	Digital power supply voltage terminal
63	VSS	-	Digital GND terminal
64~67	IO0~3	I/O	General I/O terminal
68	DMOUT	I	This terminal control IO0~IO3 terminal
69	CKSE	I	Normally, keep at open
70	DACT	I	DAC test mode terminal. Normally, keep at open
71	TESIN	I	Test input terminal, Normally, keep at "L" level
72	TESIO1	I	Test input/output terminal. Normally, keep at "L" level
73	VSS	-	Digital GND terminal
74	PXI	I	Crystal oscillator connecting input terminal for DSP
75	PXO	O	Crystal oscillator connecting output terminal for DSP
76	VDD	-	Digital power supply voltage terminal
77	XVSS	-	Oscillator GND terminal for system clock
78	XI	I	Crystal oscillator connecting input terminal for system clock
79	XO	O	Crystal oscillator connecting output terminal for system clock
80	XVDD	-	Oscillator power supply voltage terminal for system clock
81	DVSR	-	Analog GND terminal for DA converter (Rch)
82	RO	O	R channel data forward output terminal
83	DVDD	-	Analog supply voltage terminal for DA converter
84	DVR	-	Reference voltage terminal for DA converter
85	LO	O	L channel data forward output terminal
86	DVSL	-	Analog GND terminal for DA converter (Lch)
87~89	TEST1~3	I	Test mode terminal . Normal keep at open
90~93	BUS0~3	I/O	Micon interface data input/output terminal
94	VDD	-	Digital power supply voltage terminal
95	VSS	-	Digital GND terminal
96	BUCK	I	Micon interface clock input terminal
97	CCE	I	Command and data sending/receiving chip enable signal input terminal
98	TEST4	I	Test mode terminal. Normal, keep at open
99	TSMOD	I	Local test mode selection terminal
100	RST	I	Reset signal input terminal. Reset at "L" level

BA3880FS-X(IC181) : BBE

1. Pin layout & Block Diagram

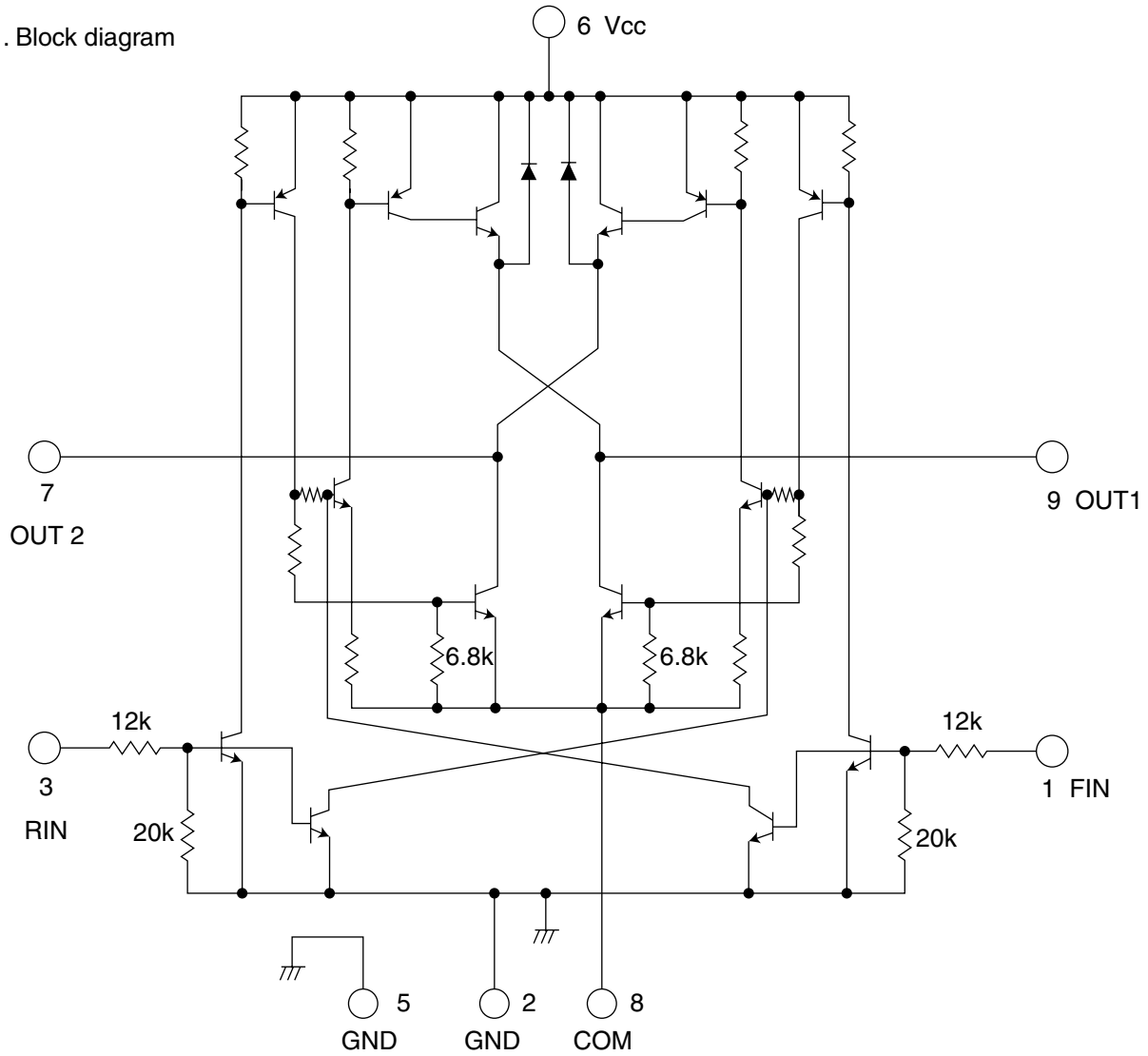


2. Pin Functions

Pin No.	Symbole	Function	Pin No.	Symbole	Function
1	GND	Grounding terminal	13	LPFL	LPF output terminal
2	DETR	Peak level detector output for treble VCA control	14	HPFL	HPF output terminal
3	DEFR	Control signal time constant terminal	15	APFL	Input inversion amplifier output terminal
4	CTL	Control signal input terminal	16		Non connector
5	VCAR	Treble CA output terminal	17	INL	Signal input terminal
6	MXIR	Output MIX amplifier summing terminal	18	OUTL	Signal output terminal
7	OUTR	Signal output terminal	19	MIXL	Output MIX amplifier summing terminal
8	INR	Signal input terminal	20	VCAL	Treble CA output terminal
9	APFR	Input inversion amplifier output terminal	21	VCC	Power supply terminal
10	HPFR	HPF output terminal	22	DEFL	Control signal time constant terminal
11	LPFR	LPF output terminal	23		Non connector
12	BIAS	Reference voltage output terminal (1/2 Vcc)	24	DETL	Peak level detector output for treble VCA control

■ BA6218 (IC591) : Motor driver

1. Block diagram

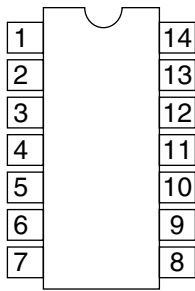


2. Function truth table

3Pin (IN)	1Pin (IN)	7Pin (OUT)	9Pin (OUT)
H	L	H	H
L	H	H	L
H	H	L	L
L	L	OPEN	OPEN

■ HD74HC126FP-X (IC801) : Buffer

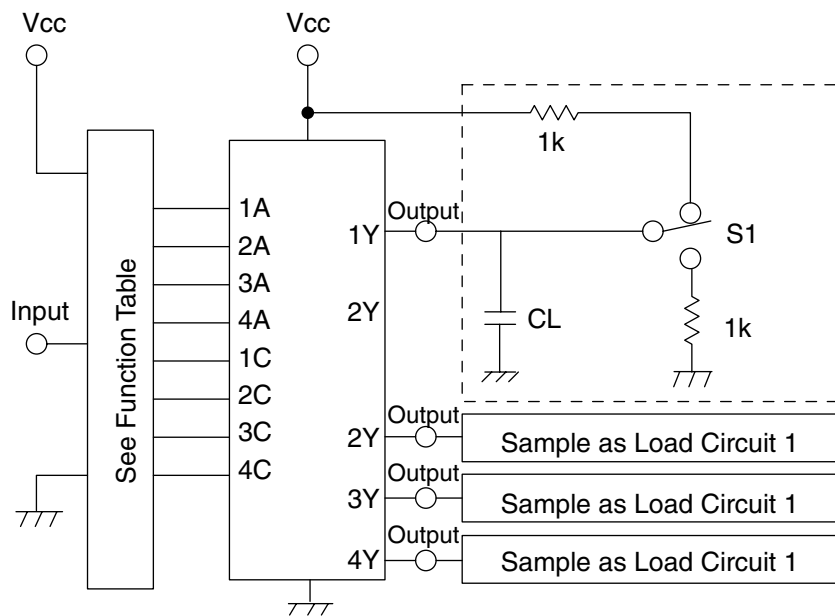
1. Terminal layout



3. Pin function

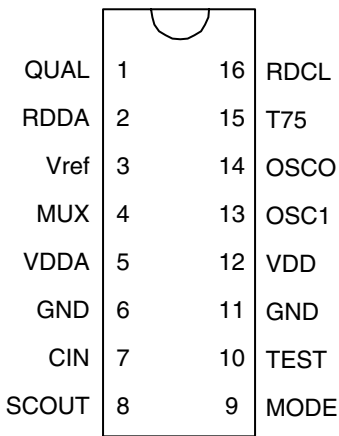
Input		Outout
C	A	Y
L	X	Z
H	L	H
H	H	L

2. Block diagram



■ SAA6579T-X(IC71):RDS Detector

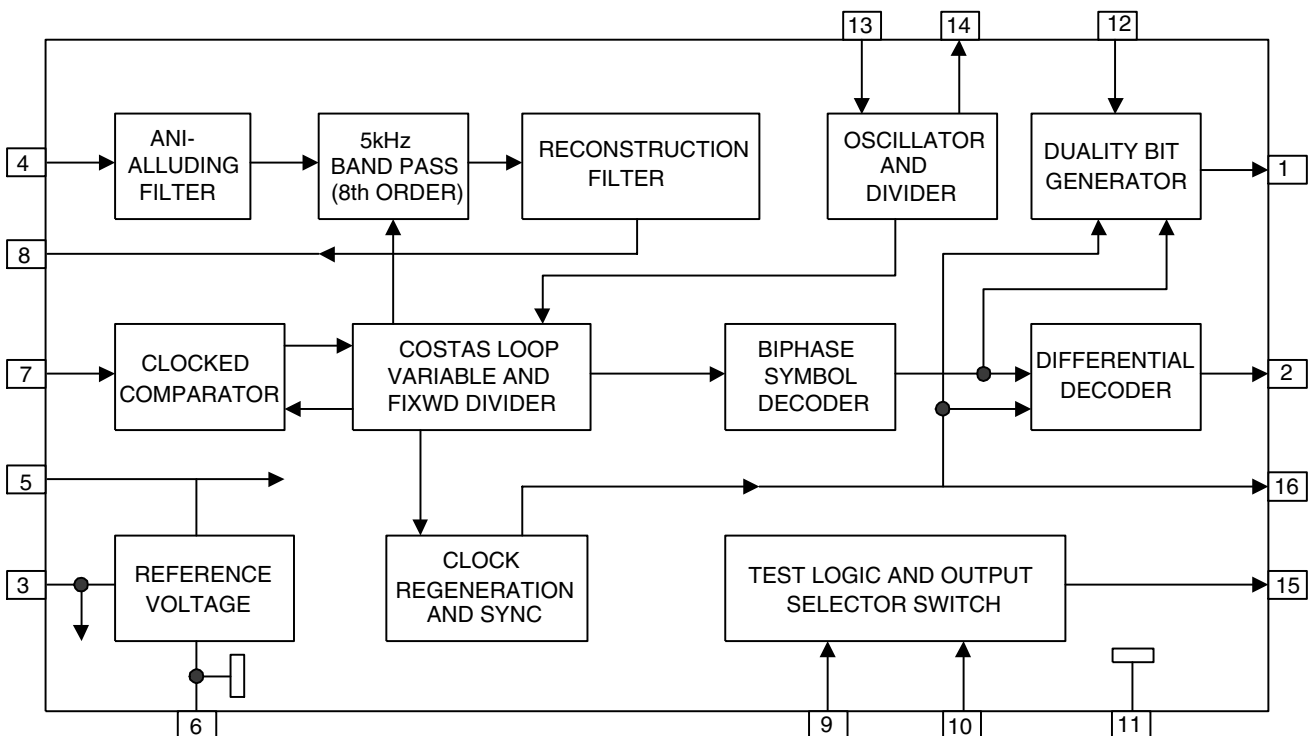
1.Terminal Layout



2.Pin Function

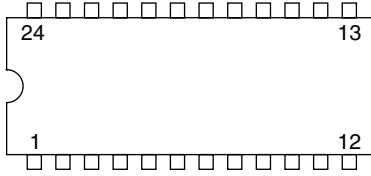
Pin No.	Symbol	I/O	Function
1	QUAL	-	Non connect
2	RDDA	O	RDS data output
3	Vref	O	Reference voltage output
4	MUX	I	Multiplex signal input
5	VDDA	-	+5V Supply voltage for analog
6	GND	-	Ground for analog part (0V)
7	CIN	I	Sub carrier output of reconstruction filter
8	SCOUT	O	Ground for digital part (0V)
9	MODE	-	Ground for digital part (0V)
10	TEST	-	Ground for digital part (0V)
11	GND	-	Ground for digital part (0V)
12	VDD	-	+5V supply voltage for digital part
13	OSC1	I	Oscillator input
14	OSC0	O	Oscillator output
15	T75	-	Non connect
16	RDCL	O	RDS clock output

3.Block Diagram

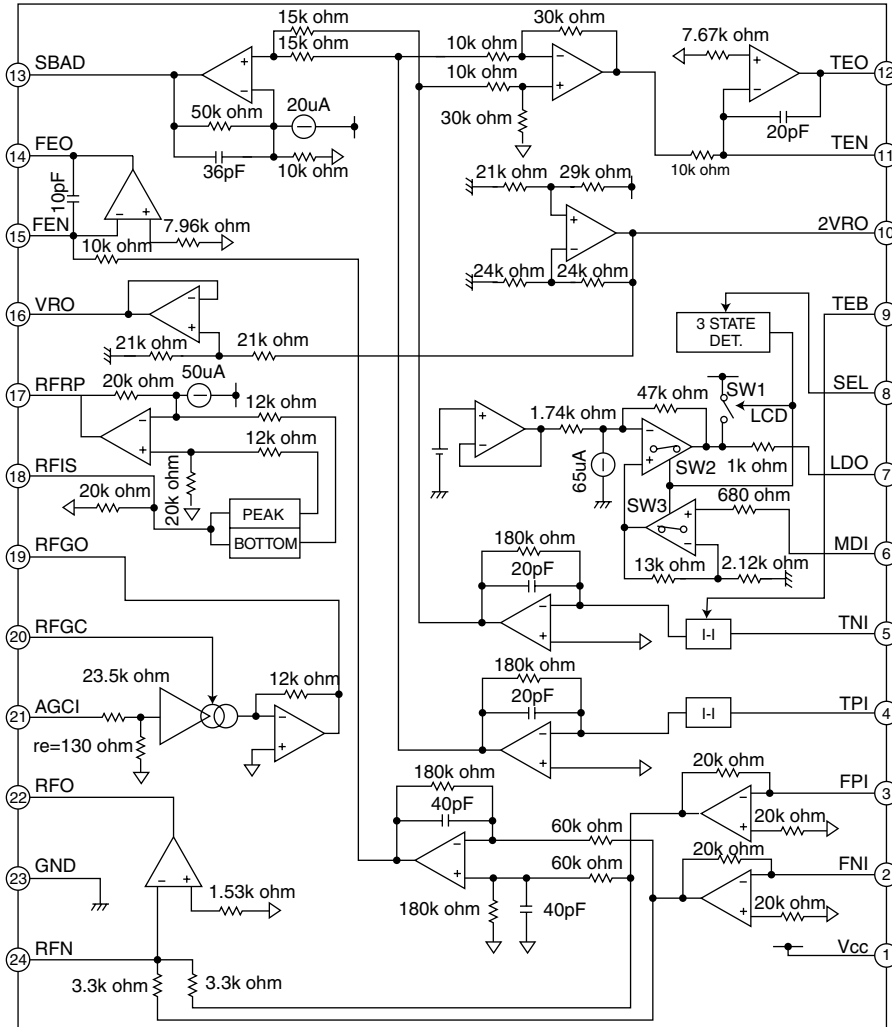


■ TA2109F-X (IC521) : RF amp.

1. Pin layout



2. Block diagram

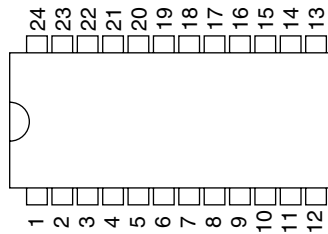


3. Pin function

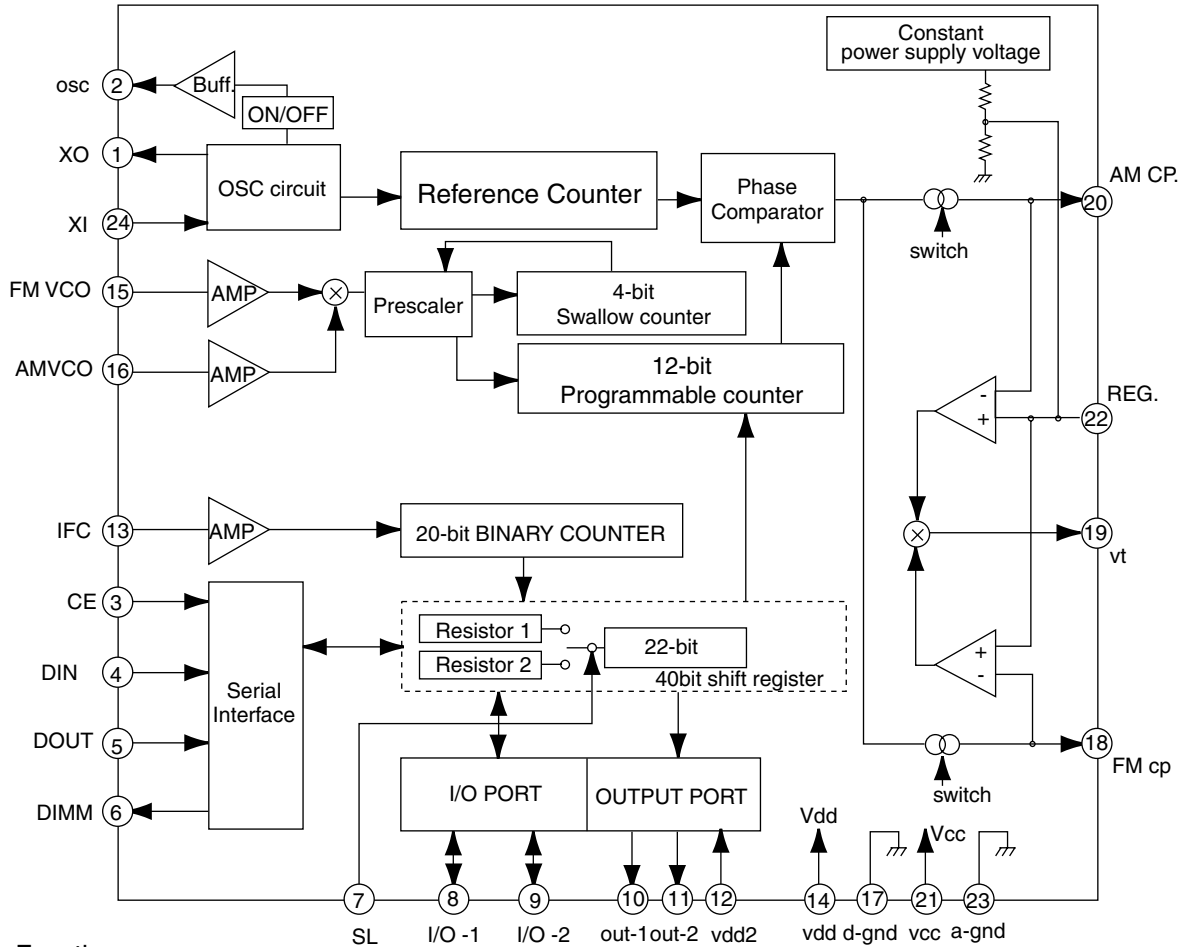
Pin No.	Symbol	I/O	Pin function	Pin No.	Symbol	I/O	Pin function
1	Vcc	-	Power supply input terminal	13	SBAD	O	Sub beam adder signal output terminal
2	FNI	I	Main beam I-V amp input terminal	14	FEO	O	Focus error signal output terminal
3	FPI	I	Main beam I-V amp input terminal	15	FEN	I	FE amp negative input terminal
4	TPI	I	Sub beam I-v input terminal	16	VRO	O	Reference voltage (VREF) output terminal
5	TNI	I	Sub beam I-V input terminal	17	RFRP	O	Track count signal output terminal
6	MDI	I	Monitor photo diode amp input terminal	18	RFIS	I	RFRP detect circuit input terminal
7	LDO	O	Laser diode amp output terminal	19	RFGO	O	RF gain signal output terminal
8	SEL	I	Laser diode control signal input terminal	20	RFGC	I	RF amplitude adj. control signal input terminal
9	TEB	I	T. error balance adj. signal input terminal	21	AGCI	I	RF signal amplitude adj. amp input terminal
10	2VRO	O	Reference voltage output terminal	22	RFO	O	RF signal output terminal
11	TEN	I	TE amp negative input terminal	23	GND	-	Ground terminal
12	TEO	O	TE error signal output terminal	24	RFN	I	RF amp negative input terminal

■TB2118F-X (IC31) : PLL

1. Terminal Layout



2. Block diagram

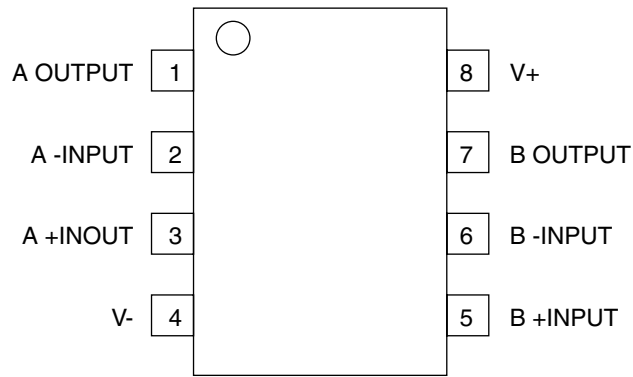


3. Pin Function

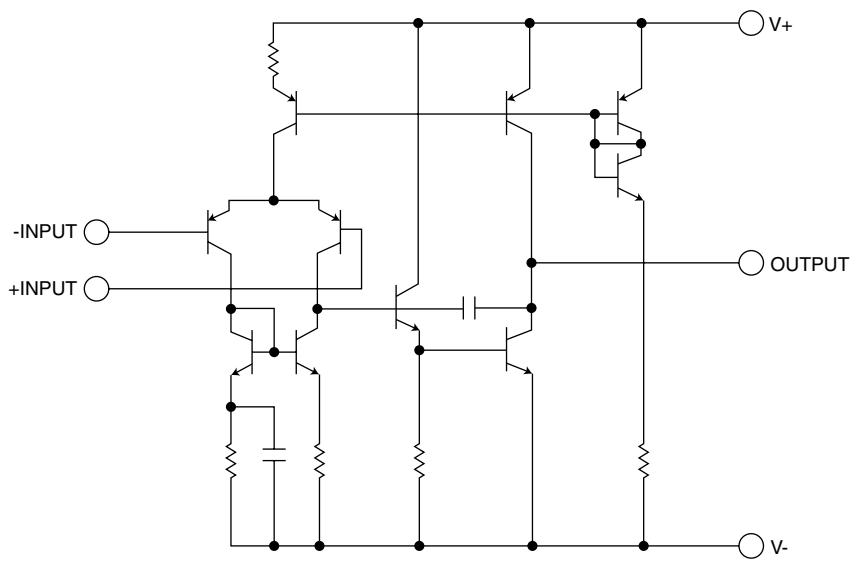
Pin No.	Symbol	I/O	Function	Pin No.	Symbol	I/O	Function
1	XOUT	O	Crystal oscillator pin	13	IFC	I	IF signal input
2	OSC	-	Non connect	14	VDD	-	Power pins for digital block
3	CE	I	Chip enable input	15	FMIN	I	FM band local signal input
4	DI	I	Serial data input	16	AMIN	I	AM band local signal input
5	CK	I	Clock input	17	DGND	-	Connect to GND (for digital circuit)
6	DOUT	O	Serial data output	18	FMCP	O	Charge pump output for FM
7	SR	O	Register control pin	19	VT	-	Tuning voltage biased to 2.5V.
8	I/O1	I/O	I/O ports	20	AMCP	O	Charge pump output for AM
9	I/O2	I/O	I/O ports	21	VCC	-	Power pins for analog block
10	OUT1	-	Non connect	22	RF	I	Ripple filter connecting pin
11	OUT2	-	Non connect	23	AGND	-	Connect to GND (for analog circuit)
12	VDD2	-	Single power supply for REF. frequency block	24	XIN	I	Crystal oscillator pin

■ NJM2100M-WE (IC861) : Cruise

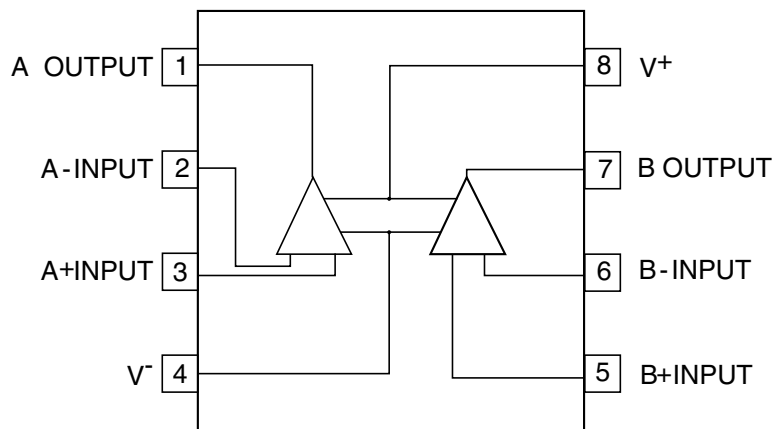
1. Pin layout



2. Block diagram

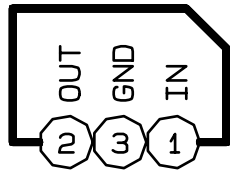


■ NJM4565M-WE (IC581,IC171) : Ope. amp

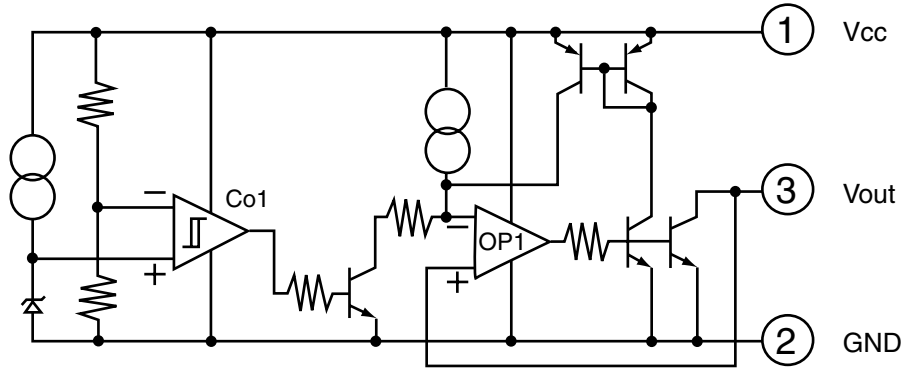


■ IC-PST600M/G/-W1197(IC702):Reset

1.Terminal layout

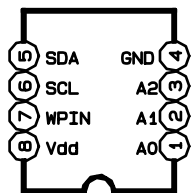


2.Block diagram

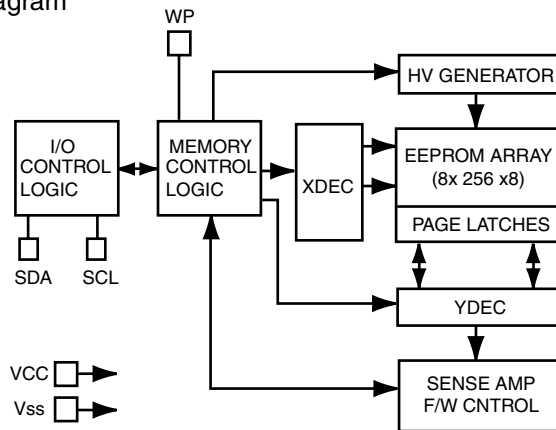


■ M24C16-WMN6-X(IC771):EPROM

1.Terminal layout



2.Block diagram



3.Pin function

Pin No.	Symbol	Function
1 ~ 3	A0 ~ A2	No internal connection
4	GND	+2.5V to 5.5V Power supply
5	SDA	Write protect input
6	SCL	Serial clock
7	WPIN	Serial address / data I/O
8	Vdd	Ground

JVC

VICTOR COMPANY OF JAPAN, LIMITED

MOBILE ELECTRONICS DIVISION

PERSONAL & MOBILE NETWORK BUSINESS UNIT. 10-1,1Chome,Ohwatari-machi,Maebashi-city,Japan

A
B
C

1

2

3

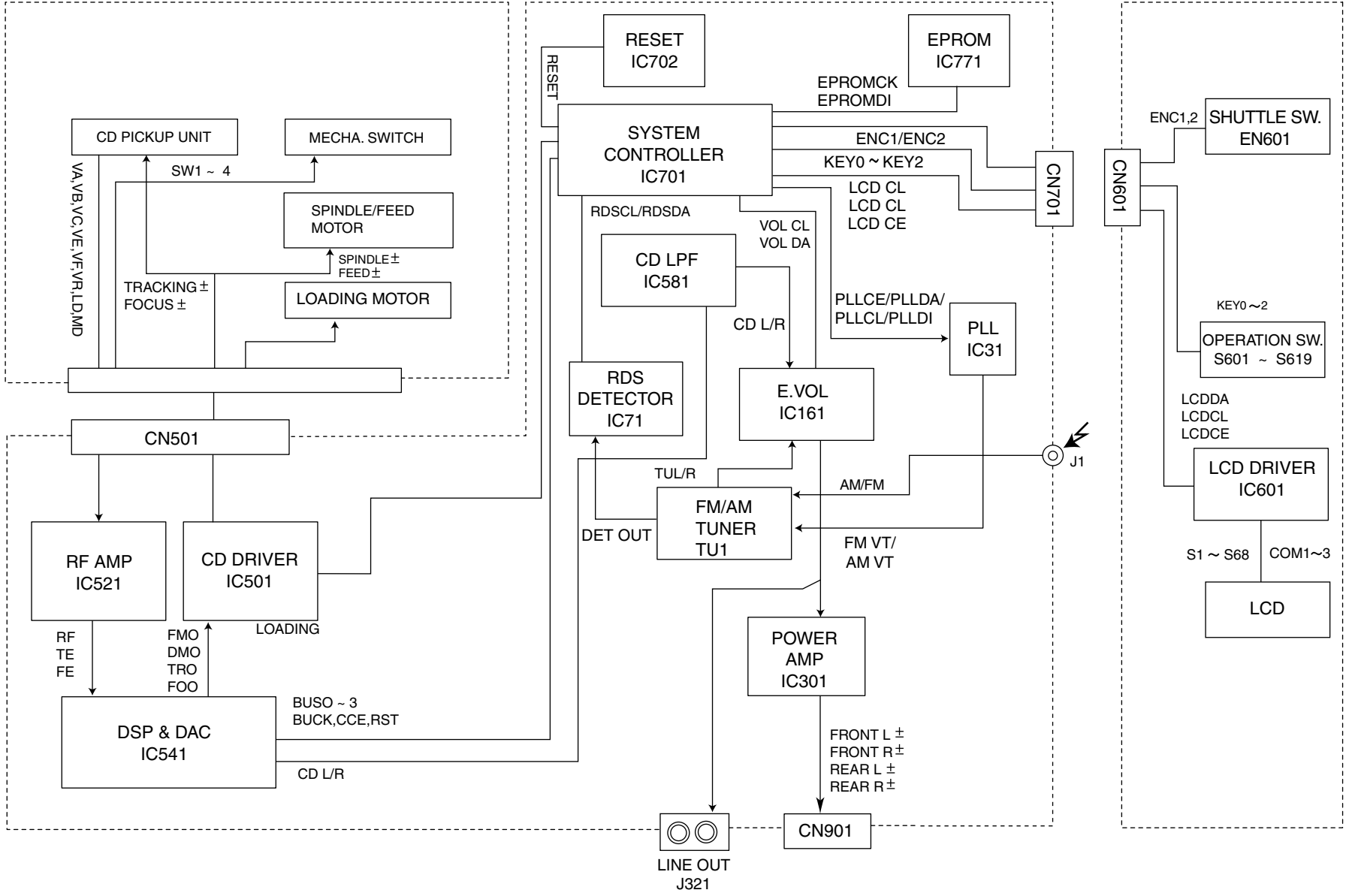
4

5

CD MECHA

MAIN BOARD

SWITCH BOARD



< MEMO >

Standard schematic diagrams

Main amp.section

- NOTES
1. VOLTAGES ARE DC-MEASURED WITH A DIGITAL VOLT METER WITHOUT INPUT SIGNAL CONDITION—FM MODE. □ AM MODE. () CD MODE.
 2. UNLESS OTHERWISE SPECIFIED, ALL RESISTORS ARE 1/10W ±5% METAL GLAZE RESISTOR. ALL CAPACITORS ARE 50V OR 25V CERAMIC CAPACITOR. ALL RESISTANCE VALUES ARE IN OHM. ALL CAPACITANCE VALUES ARE IN uF(P/PF) ALL E. CAPACITORS ARE SHOWN IN THE FORM OF CAPACITANCE(uF)/RATED VOLTAGE(V) TF --- T. F. CAPACITOR
 3. COMPONENTS IN () INDICATE NOT USE.

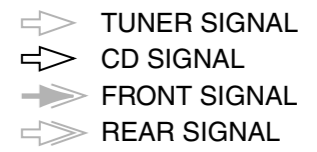
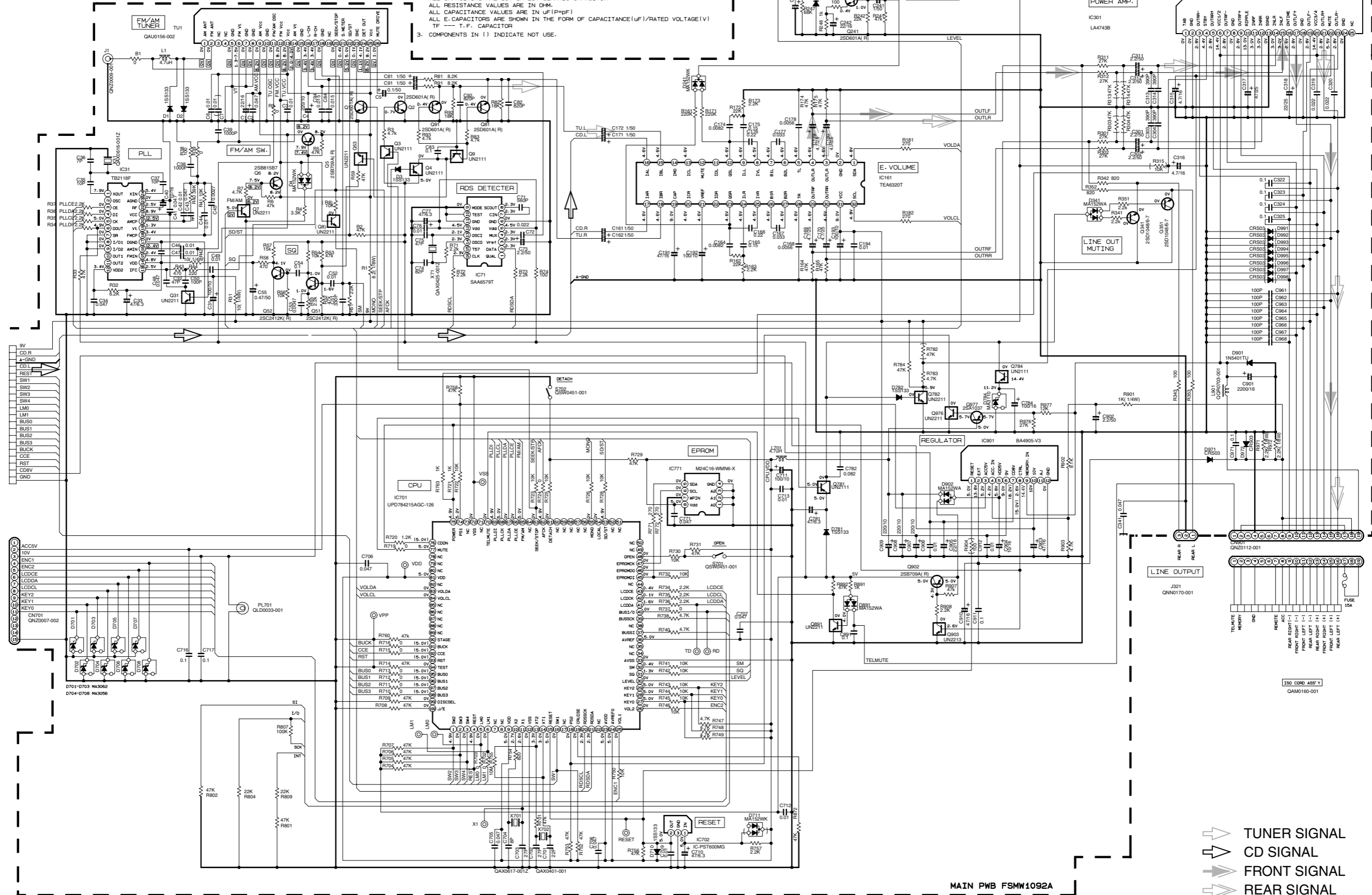
5

4

3

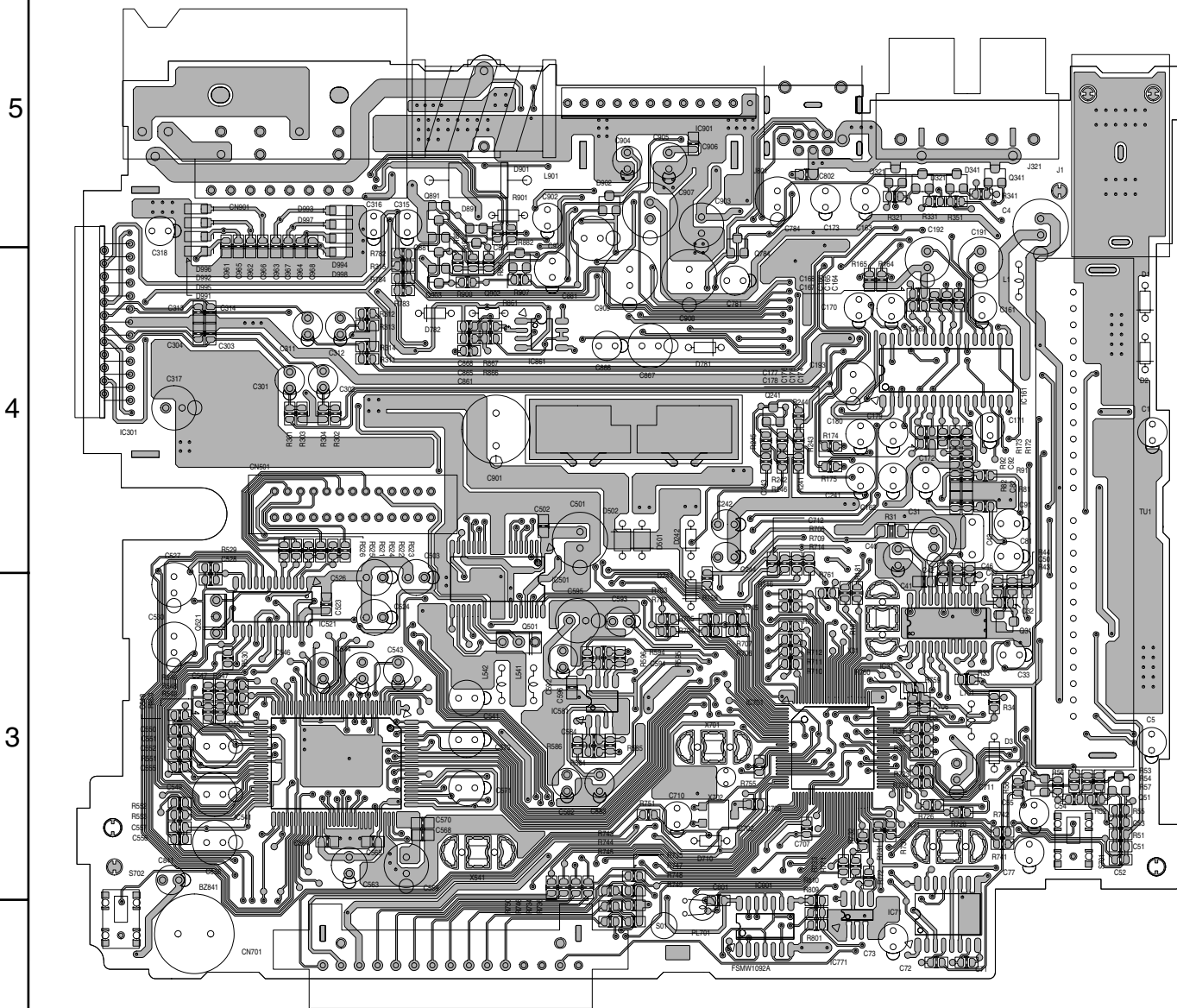
2

1



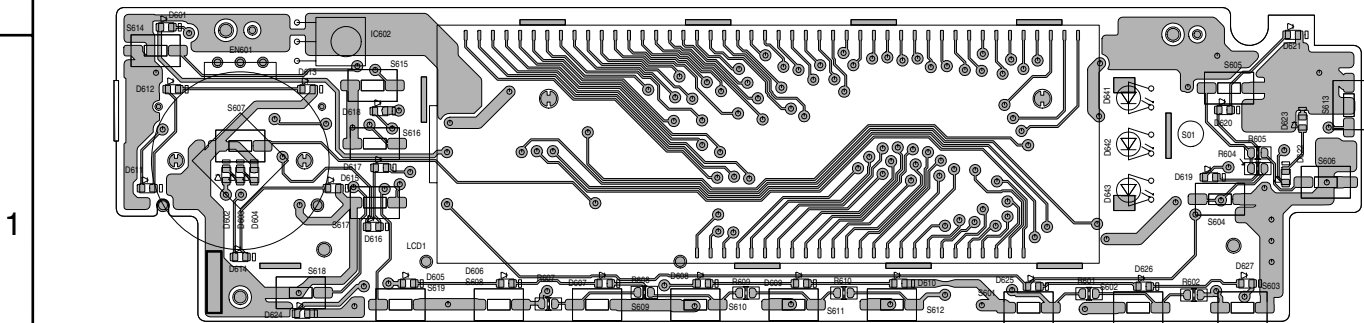
Printed circuit boards

■ Main board (Forward side)



Note:KD-S9R
/d2/c/jes/s9rpbw/1092mo

■ Switch board (Forward side)



Note:KD-S9R
/d2/c/jes/s9rpbw/1081mo

PARTS LIST

[KD-S9R]

* All printed circuit boards and its assemblies are not available as service parts.

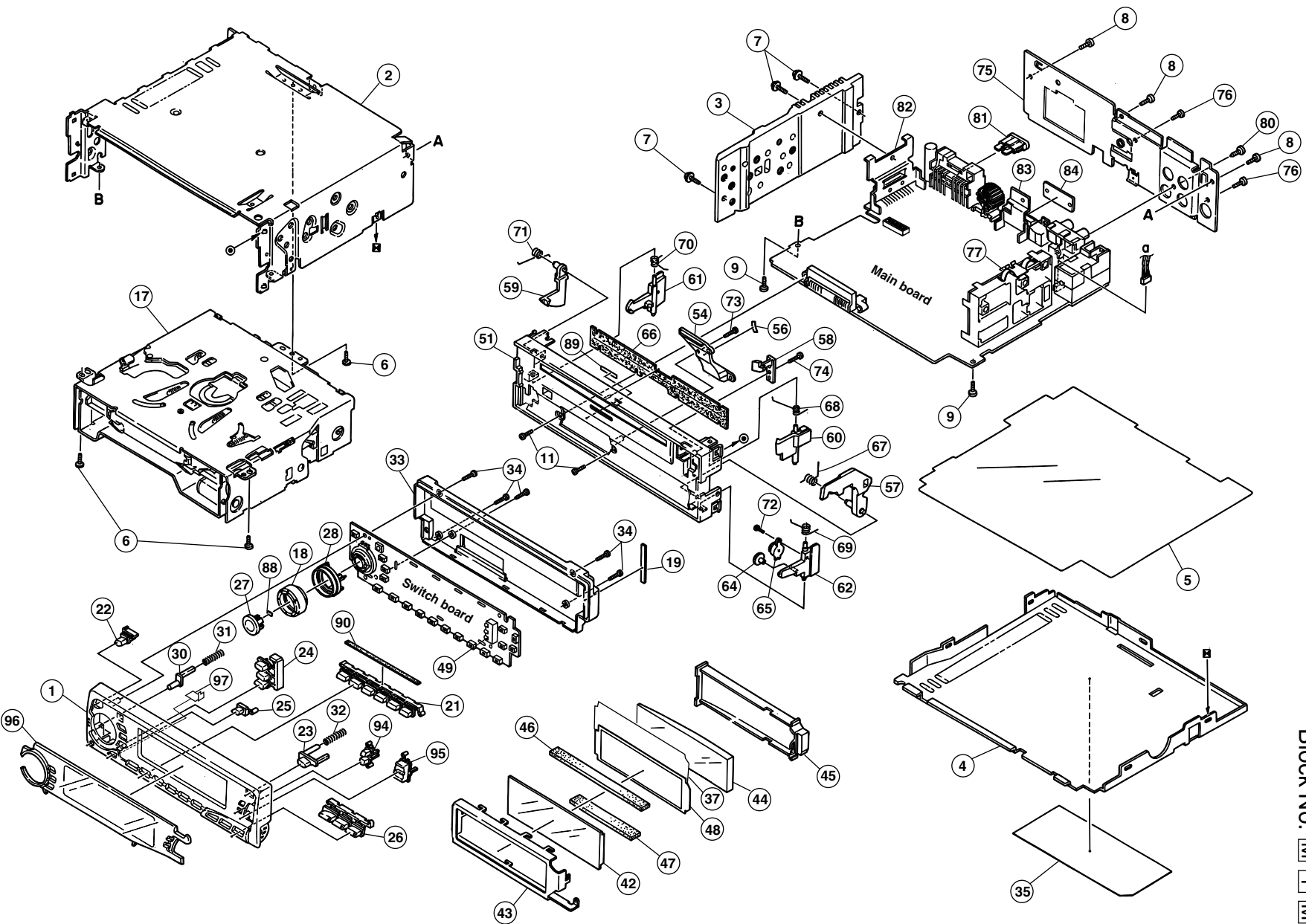
Area suffix
E ----- Continental Europe

- Contents -

Exploded view of general assembly and parts list	3-2
CD mechanism assembly and parts list	3-5
Electrical parts list	3-8
Packing materials and accessories parts list	3-14

Exploded view of general assembly and parts list

Block No. M 1 M M



■ Parts list (General assembly)

Block No. M1MM

△	Item	Parts number	Parts name	Q'ty	Description	Area
	1	FSJC1058-001	FRONT PANEL	1		
	2	FSJC1029-404	TOP CHASSIS	1	FOR KD AND ISO	
	3	FSMH3001-204	SIDE PANEL	1		
	4	FSKM3011-002	BOTTOM COVER	1		
	5	FSMA3005-001	INSULATOR	1		
	6	QYSDST2604Z	SCREW	3	CHASSIS+CD MECHA	
	7	FSKZ4005-001	SCREW	3	CHASSIS+SIDE PANEL	
	8	QYSDST2604Z	SCREW	3	CHASSIS+REAR BKT	
	9	QYSDST2606Z	SCREW	2	CHASSIS+MAIN PWB	
	11	QYSDSF2006M	SCREW	2	F,CHASSIS+CONECTER	
	17	-----	CD MECHA	1		
	18	FSXK3003-005	VOL.KNOB	1	JOG DIAL	
	19	FSYH4036-035	SHEET	1	SLIDING SHEET	
	21	FSXP2045-012	PRESET BUTTON	1	1-6 LASER CUT	
	22	FSXP3053-002	POWER BUTTON	1		
	23	FSXP3058-001	EJECT BUTTON	1		
	24	FSXP2041-003	PUSH BUTTON(L)	1	DISP,TP,PTY	
	25	FSXP4006-001	SCM BUTTON	1		
	26	FSXP2038-003	D.FUNC CAP	1	AM/FM/CD	
	27	FSXP3061-001	SEL BUTTON	1		
	28	FSJK3027-001	RIM LENS	1	FOR KNOB	
	30	FSXP3059-001	DETACH BUTTON	1		
	31	VKW3001-330	COMP.SPRING	1	FOR DETACH BUTTON	
	32	VKW3001-330	COMP.SPRING	1	FOR EJECT BUTTON	
	33	FSJC1059-001	REAR COVER	1		
	34	VKZ4777-001	MINI SCREW	5	FRONT+SW.PWB	
	35	GE30118-002A	NAME PLATE	1	FOR MP USE	
	37	FSYH4061-002	LIGHTING SHEET	1		
	42	QLD0147-001	LCD MODULE	1		
	43	FSYH3024-001	LCD CASE	1		
	44	FSJK3028-001	LCD LENS	1		
	45	FSKS3013-001	LENS CASE	1		
	46	QNZ0449-001	RUBBER CONNECTO	1		
	47	QNZ0450-001	RUBBER CONNECTO	1		
	48	FSYH4061-001	LIGHTNG SHEET	1		
	49	FSKS3017-002	LED HOLDER	1		
	51	FSJC1061-002	FRONT CHASSIS	1		
	54	VJK3709-002	LIGHT LENS	1		
	56	FSYH4036-055	SHEET	1	FOR LIGHT LENS	
	57	FSKS3014-001	OPEN LEVER	1		
	58	FSKS3015-001	LOCK LEVER(O.L)	1		
	59	VKS3794-003	LOCK LEVER(L)	1		
	60	VKS3793-001	LOCK LEVER(TOP)	1		
	61	VKS3798-002	RELEASE LEVER	1		
	62	VKS3795-002	LOCK LEVER(R)	1		
	64	VKS5563-001	GEAR	1		
	65	VKZ4786-002	OIL DAMPER	1		
	66	VYTA526-002	BLIND	1		

■ Parts list (General assembly)

Block No. M1MM

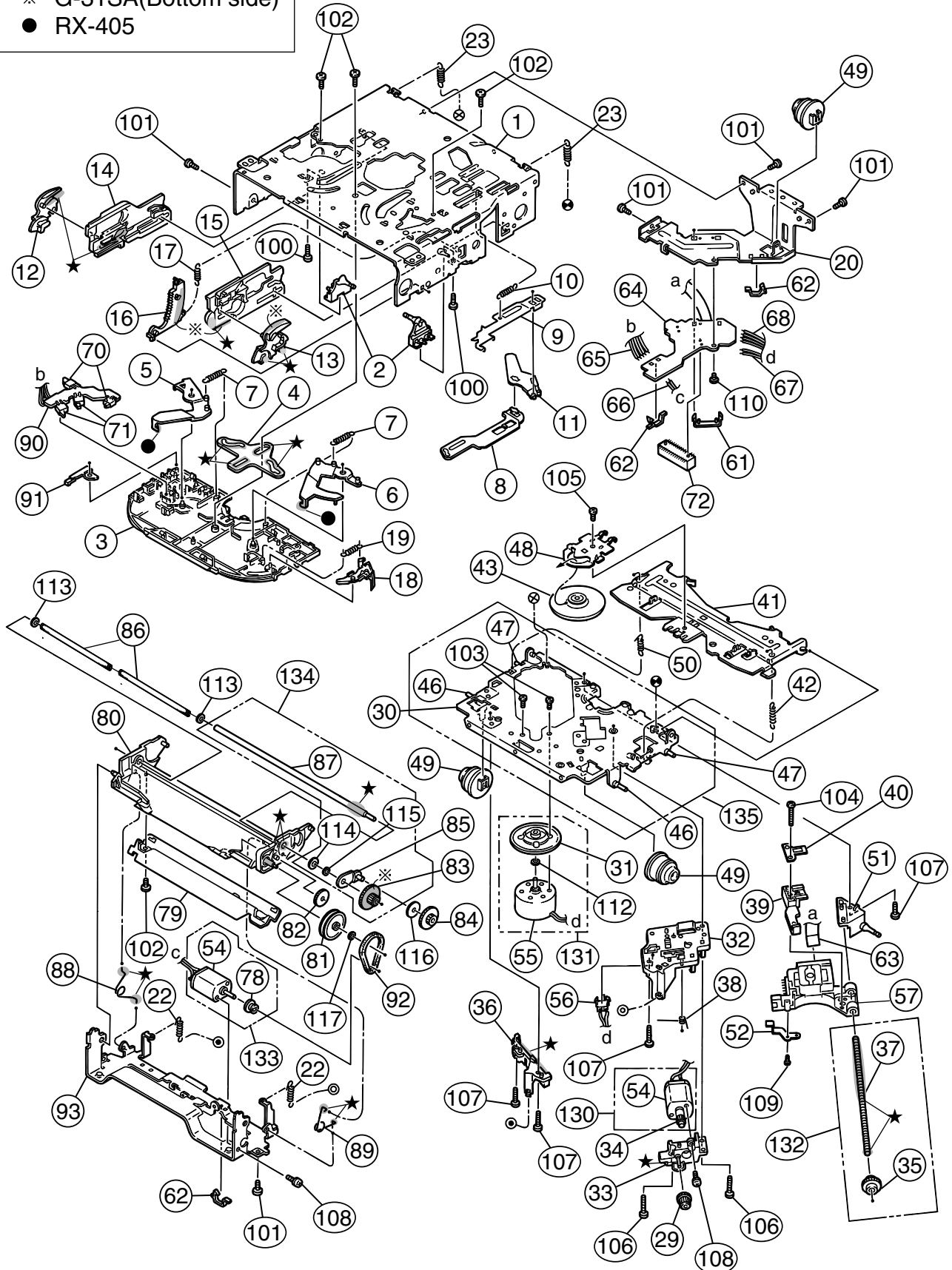
⚠	Item	Parts number	Parts name	Q'ty	Description	Area
	67	FSKW4013-002	T.SPRING	1	FOR OPEN LEVER	
	68	FSKW4012-002	TENSION SPRING	1	FOR L.LEVER(TOP)	
	69	VKW5262-001	T.SPRING	1	FOR L.LEVER(R)	
	70	VKW5264-005	T.SPRING	1	FOR RELEASE LEVER	
	71	VKW5263-002	T.SPRING	1	FOR L.LEVER(L)	
	72	QYSDSF2006M	SCREW	1	DAMPER+L.LEVER(R)	
	73	VKZ4777-001	MINI SCREW	1	F.CHASSIS +LENS	
	74	VKZ4777-001	MINI SCREW	1	LOCK LEVER(O.L.)	
	75	FSKM3012-015	REAR BRACKET	1		
	76	QYSDST2606Z	SCREW	2	REG.BRK ANT	
	77	VMA4652-001SS	EARTH PLATE	1		
	80	QYSDSF3006Z	SCREW	1	PIN	
⚠	81	QMFZ021-150-J1	FUSE	1		
	82	FSKL4024-001	IC BRACKET	1		
	83	FSKL4015-002	REG BRACKET	1		
	84	FSKL4014-002	HEAT SINK	1		
	88	FSYH4036-032	SHEET	1		
	89	FSYH4036-056	SHEET	1		
	90	FSYH4036-031	SHEET	1	PRESET BUTTON	
	94	FSXP3062-001	PUSH BUTTON(R)	1	MO/RND,RPT	
	95	FSXP2043-001	UP DOWN BUTTON	1		
	96	FSJD3024-01L	FINDER ASSY	1		
	97	GE40112-001A	LIGHT COVER	1		

CD mechanism assembly and parts list

Block No. M 2 M M

Grease

- ★ G-31SA
- ※ G-31SA(Bottom side)
- RX-405



■ Parts list (CD mechanism)

Block No. M2MM

△	Item	Parts number	Parts name	Q'ty	Description	Area
	1	30310101T	FRAME	1		
	2	30310103T	DANPER PIN	2		
	3	30310107T	UPPER PLATE	1		
	4	30310108T	SEL STOP PLATE	1		
	5	30310142T	SEL ARM (L)L	1		
	6	30310143T	SEL ARM (R)L	1		
	7	30310145T	S ARM SPRING(L)	2		
	8	30310112T	TRIG LEVER	1		
	9	30310155T	TRIG PL(Z)	1		
	10	30310115T	TRIG PL SPRING	1		
	11	30310116T	TRIG ARM	1		
	12	30310134T	FIX ARM (L)B	1		
	13	30310159T	FIX ARM (R)Z	1		
	14	30310150T	FIX PL (L)Z	1		
	15	30310156T	FIX PL (R) Z	1		
	16	30310138T	LDG GR (6)B	1		
	17	30310122T	LDG GEAR (6)SP	1		
	18	30310148T	S.L ARM(N)	1		
	19	30310125T	S.L ARM SPRING	1		
	20	30310149T	REAR DAM BKT(Z)	1		
	22	30310151T	HUNG UP SP (FZ)	2		
	23	30310129T	HUNG UP SP (R)	2		
	29	30300510T	PU GEAR(B)	1		
	30	-----	T.T.BASE(Z)	1		
	31	-----	TURN TABLE(Z)	1		
	32	30310544T	F.M.BASE(Z)	1		
	33	30310547T	FD GR BLK(Z)	1		
	34	-----	FD GR AZ	1		
	35	-----	FD GR CZ	1		
	36	30310546T	PU GUIDE(Z)	1		
	37	-----	FD SCREW(Z)	1		
	38	30310533T	THRUST SPR(M)	1		
	39	30310548T	PU M NUT(Z)	1		
	40	30310512T	NUT PUSH SPR PLATE	1		
	41	30310558T	CLP ARM(Z)	1		
	42	30310514T	CLP ARM SPRING	1		
	43	30310552T	CLAMPER(Z)	1		
	46	-----	LOCK PIN(FZ)	2		
	47	-----	LOCK PIN(RZ)	2		
	48	30310557T	CLAMPER PLATE(Z)	1		
	49	30310524T	DAMPER (J)	3		
	50	30310525T	CLP ARM SPR (L)	1		
	51	30310545T	F SCREW GUIDE(Z)	1		
	52	30310556T	PU G.SP PLT(Z)	1		
	54	-----	FEED MOTOR	2	FF030PK-09210	
	55	-----	SPINDLE MOTOR	1	RF300CA-11440D	
	56	64180405T	DET SW	1	ESE11SF4	
	57	OPTIMA-720L1	C.D PICK (CAR)	1		

■ Parts list (CD mechanism)

Block No. M2MM

△	Item	Parts number	Parts name	Q'ty	Description	Area
	61	30311035T	FPC HOLDER(Z)	1		
	62	19501403T	WIRE CLAMPER	3		
	63	30311037T	PICK UP FPC(Z)	1		
	64	30311036T	CONNECT.PCB(Z-J)	1		
	65	30311038T	WIRE (5P-Z)	1		
	66	30311039T	WIRE (LD-Z)	1		
	67	30311040T	WIRE (FD-Z)	1		
	68	30311041T	WIRE (RS-Z)	1		
	70	64180402T	DET SWITCH	2	ESE22MH1	
	71	64180403T	DET SWITCH	2	ESE22MH3	
	72	68150232T	CONNECTOR	1	TKC-W26X-C1	
	78	-----	LDG PULLEY	1		
	79	30311105T	SOPPORT PLATE	1		
	80	30311138T	GR MT BLK(N)	1		
	81	30311109T	LDG GEAR (2)	1		
	82	30311110T	LDG GEAR (3)	1		
	83	-----	LDG GEAR (4)	1		
	84	30311112T	LDG GEAR (5)	1		
	85	-----	LDG GR ARM	1		
	86	30311136T	LDG ROLLER	2		
	87	-----	LDG RLR SHAFT	1		
	88	30311118T	L.P SPRING (L)	1		
	89	30311119T	L.P SPRING (R)	1		
	90	30311123T	SW PCB	1		
	91	30311124T	SW ACTUATOR	1		
	92	30311129T	LDG BELT	1		
	93	30311140T	FRONT BRKT (J)	1		
	100	9C0620503T	C B TAP SCREW	2	M2X5	
	101	9C2020401T	C SCREW TS.G	5	M2X4	
	102	9C4320403T	C B TAP SCREW	4	M2X4	
	103	9C0117223T	SCREW	2	M1.7X2.2	
	104	9C4217703T	C TAP SCREW S3	1	M1.7X7	
	105	9C0320201T	C TAP SCREW S3	1	M2X2	
	106	9C4920013T	C TAP SCREW S3	2	M2X10	
	107	9C4920603T	C TAP SCREW B3	4	M2X6	
	108	9P0220031T	TAMS SCREW	2	M2X3	
	109	9C0314203T	C TAP SCREW	1	M1.4X2	
	110	9C0420253	C TAP SCREW	1	M2X2.5	
	112	-----	POLY WASHER	1	2.1X3.5X0.3	
	113	9W0330276	NW BLUE	2	2.9X5X0.3	
	114	-----	WAVE WASHER	1		
	115	-----	LUMILAR WASHER	1	2.5X6X0.1	
	116	9W0725030T	LUMILAR WASHER	1	2.3X9.8X0.25	
	117	9W0640030T	WASHER	1	1.4X3.2X0.4	
	130	303105310T	FEED MO ASSY	1	NO.34 54	
	131	303105311T	SPINDLE MO ASSY	1	NO.31 55 112	
	132	303105312T	FEED SCREW ASSY	1	NO.35 37	
	133	303111301T	LDG MOTOR ASSY	1	NO.54 78	
	134	303111302T	ROLLER SHAFT	1	NO.83 85 87	
		303111302T	ROLLER SHAFT	1	NO.114 115	
	135	303105502T	T.T.BASE ASSY	1	NO.30 46 47	

■ Electrical parts list (Main board)

Block No. 01

△	Item	Parts number	Parts name	Remarks	Area	△	Item	Parts number	Parts name	Remarks	Area
	C 1	QEKJ1CM-226Z	E CAPACITOR	22MF 20% 16V			C 191	QEKJ1CM-476Z	E CAPACITOR	47MF 20% 16V	
	C 2	NCB21EK-473X	C CAPACITOR				C 192	QEKJ1AM-107Z	E CAPACITOR	100MF 20% 10V	
	C 3	NCB21HK-103X	C CAPACITOR				C 193	QEKJ1AM-107Z	E CAPACITOR	100MF 20% 10V	
	C 4	QERF1AM-227Z	E CAPACITOR	220MF 20% 10V			C 194	NCB21HK-103X	C CAPACITOR		
	C 5	QEKJ1HM-104Z	E CAPACITOR	.10MF 20% 50V			C 241	QEKJ1HM-105Z	E CAPACITOR	1.0MF 20% 50V	
	C 6	NCB21HK-103X	C CAPACITOR				C 242	QEKJ1CM-226Z	E CAPACITOR	22MF 20% 16V	
	C 31	QEKJ1AM-107Z	E CAPACITOR	100MF 20% 10V			C 243	NCB21EK-473X	C CAPACITOR		
	C 32	NCS21HJ-470X	C CAPACITOR				C 244	QERF1HM-224Z	E CAPACITOR	.22MF 20% 50V	
	C 33	QEKJ0JM-476Z	E CAPACITOR	47MF 20% 6.3V			C 301	QERF1HM-225Z	E CAPACITOR	2.2MF 20% 50V	
	C 34	NCB21EK-473X	C CAPACITOR				C 302	QERF1HM-225Z	E CAPACITOR	2.2MF 20% 50V	
	C 35	NDC21HJ-100X	C CAPACITOR				C 303	NCS21HJ-391X	C CAPACITOR		
	C 36	NDC21HJ-7R0X	C CAPACITOR				C 304	NCS21HJ-391X	C CAPACITOR		
	C 37	NDC21HJ-100X	C CAPACITOR				C 311	QERF1HM-225Z	E CAPACITOR	2.2MF 20% 50V	
	C 38	NCB21HK-102X	C CAPACITOR				C 312	QERF1HM-225Z	E CAPACITOR	2.2MF 20% 50V	
	C 39	NCB21HK-102X	C CAPACITOR				C 313	NCS21HJ-391X	C CAPACITOR		
	C 40	QEKJ1CM-106Z	E CAPACITOR	10MF 20% 16V			C 314	NCS21HJ-391X	C CAPACITOR		
	C 41	NCB21EK-473X	C CAPACITOR				C 315	QERF1CM-475Z	E CAPACITOR	4.7MF 20% 16V	
	C 42	NCB21HK-103X	C CAPACITOR				C 316	QERF1EM-475Z	E CAPACITOR	4.7MF 20% 25V	
	C 43	QFV61HJ-473Z	MF CAPACITOR	.047MF 5% 50V			C 317	QERF1CM-476Z	E CAPACITOR	47MF 20% 16V	
	C 44	NCB21HK-103X	C CAPACITOR				C 318	QEKJ1CM-226Z	E CAPADITOR	22MF 20% 16V	
	C 45	NCB21HK-272X	C CAPACITOR				C 319	NCB21EK-223X	C CAPACITOR		
	C 46	NCB21HK-103X	C CAPACITOR				C 320	NCB21EK-223X	C CAPACITOR		
	C 47	NCB21HK-103X	C CAPACITOR				C 322	NCB21EK-104X	C CAPACITOR		
	C 48	NCB21EK-473X	C CAPACITOR				C 323	NCB21EK-104X	C CAPACITOR		
	C 49	NCB21HK-103X	C CAPACITOR				C 324	NCB21EK-104X	C CAPACITOR		
	C 50	NCS21HJ-101X	C CAPACITOR				C 325	NCB21EK-104X	C CAPACITOR		
	C 51	NCS21HJ-331X	C CAPACITOR				C 341	NCB21EK-473X	C CAPACITOR		
	C 52	NCB21HK-103X	C CAPACITOR				C 501	QERF1AM-227Z	E CAPACITOR	220MF 20% 10V	
	C 53	NCB21EK-472X	C CAPACITOR				C 502	NCB21HK-103X	C CAPACITOR		
	C 54	NCB21EK-104X	C CAPACITOR				C 503	QERF1CM-226Z	E CAPACITOR	22MF 20% 16V	
	C 55	QEKJ1HM-474Z	E CAPACITOR	.47MF 20% 50V			C 521	NCB21HK-103X	C CAPACITOR		
	C 71	NCS21HJ-561X	C CAPACITOR				C 522	NCB21HK-103X	C CAPACITOR		
	C 72	NCB21EK-223X	C CAPACITOR				C 523	NCB21HK-103X	C CAPACITOR		
	C 73	QERF1HM-225Z	E CAPACITOR	2.2MF 20% 50V			C 524	QEKJ0JM-107Z	E CAPACITOR	100MF 20% 6.3V	
	C 74	NDC21HJ-820X	C CAPACITOR				C 525	NCB21HK-103X	C CAPACITOR		
	C 75	NDC21HJ-470X	C CAPACITOR				C 526	QEKJ0JM-107Z	E CAPACITOR	100MF 20% 6.3V	
	C 76	NCB21HK-103X	C CAPACITOR				C 527	QERF0JM-107Z	E CAPACITOR	100MF 20% 6.3V	
	C 77	QERF0JM-476Z	E CAPACITOR	47MF 20% 6.3V			C 528	NCS21HJ-101X	C CAPACITOR		
	C 81	QERF1HM-105Z	E CAPACITOR	1.0MF 20% 50V			C 529	NCB21HK-103X	C CAPACITOR		
	C 82	NCB21HK-821X	C CAPACITOR				C 530	QERF0JM-107Z	E CAPACITOR	100MF 20% 6.3V	
	C 83	NCB21EK-104X	C CAPACITOR				C 531	NCB21EK-104X	C CAPACITOR		
	C 84	NCB21HK-153X	C CAPACITOR				C 532	NCB21EK-104X	C CAPACITOR		
	C 91	QERF1HM-105Z	E CAPACITOR	1.0MF 20% 50V			C 533	NDC21HJ-560X	C CAPACITOR		
	C 92	NCB21HK-821X	C CAPACITOR				C 541	QEKJ0JM-107Z	E CAPACITOR	100MF 20% 6.3V	
	C 94	NCB21HK-153X	C CAPACITOR				C 542	NCB21HK-103X	C CAPACITOR		
	C 161	QEKJ1HM-105Z	E CAPACITOR	1.0MF 20% 50V			C 543	QEKJ1HM-105Z	E CAPACITOR	1.0MF 20% 50V	
	C 162	QEKJ1HM-105Z	E CAPACITOR	1.0MF 20% 50V			C 544	QEKJ0JM-107Z	E CAPACITOR	100MF 20% 6.3V	
	C 164	NCB21HK-822X	C CAPACITOR				C 545	NCB21HK-103X	C CAPACITOR		
	C 165	NCB21CK-154X	C CAPACITOR				C 546	QEKJ0JM-107Z	E CAPACITOR	100MF 20% 6.3V	
	C 166	NCB21CK-224X	C CAPACITOR				C 547	NCS21HJ-470X	C CAPACITOR		
	C 167	NCB21HK-333X	C CAPACITOR				C 548	NCB21HK-153X	C CAPACITOR		
	C 168	NCB21HK-562X	C CAPACITOR				C 549	QERF0JM-107Z	E CAPACITOR	100MF 20% 6.3V	
	C 169	QEKJ1EM-475Z	E CAPACITOR	4.7MF 20% 25V			C 550	NCB21HK-103X	C CAPACITOR		
	C 170	QEKJ1EM-475Z	E CAPACITOR	4.7MF 20% 25V			C 551	NCB21HK-272X	C CAPACITOR		
	C 171	QEKJ1HM-105Z	E CAPACITOR	1.0MF 20% 50V			C 552	NCB21HK-103X	C CAPACITOR		
	C 172	QEKJ1HM-105Z	E CAPACITOR	1.0MF 20% 50V			C 553	QERF0JM-107Z	E CAPACITOR	100MF 20% 6.3V	
	C 174	NCB21HK-822X	C CAPACITOR				C 554	NCB21HK-103X	C CAPACITOR		
	C 175	NCB21CK-154X	C CAPACITOR				C 555	NCB21HK-333X	C CAPACITOR		
	C 176	NCB21CK-224X	C CAPACITOR				C 556	NCB21HK-332X	C CAPACITOR		
	C 177	NCB21HK-333X	C CAPACITOR				C 557	NCS21HJ-561X	C CAPACITOR		
	C 178	NCB21HK-562X	C CAPACITOR				C 558	QERF0JM-107Z	E CAPACITOR	100MF 20% 6.3V	
	C 179	QEKJ1EM-475Z	E CAPACITOR	4.7MF 20% 25V			C 559	NCB21EK-473X	C CAPACITOR		
	C 180	QEKJ1EM-475Z	E CAPACITOR	4.7MF 20% 25V			C 560	NCB21EK-473X	C CAPACITOR		

■ Electrical parts list (Main board)

Block No. 01

△	Item	Parts number	Parts name	Remarks	Area	△	Item	Parts number	Parts name	Remarks	Area
	C 561	NCB21EK-473X	C CAPACITOR				C 971	NCB21EK-104X	C CAPACITOR		
	C 562	NCB21EK-473X	C CAPACITOR				CN501	QGB2027M1-26S	CONNECTOR		
	C 563	QEKJ0JM-107Z	E CAPACITOR	100MF 20% 6.3V			CN701	QNZ0007-002	CAR CONNECTOR		
	C 564	NCB21HK-103X	C CAPACITOR				CN901	QNZ0112-001	CAR CONNECTOR		
	C 565	NCB21HK-103X	C CAPACITOR				D 1	1SS133-T1	SI DIODE		
	C 566	NDC21HJ-100X	C CAPACITOR				D 2	1SS133-T1	SI DIODE		
	C 567	NDC21HJ-100X	C CAPACITOR				D 3	1SS133-T1	SI DIODE		
	C 568	NCB21HK-103X	C CAPACITOR				D 4	MA152WK-X	SI DIODE		
	C 569	QEKJ0JM-107Z	E CAPACITOR	100MF 20% 6.3V			D 241	MA152WK-X	SI DIODE		
	C 570	NCS21HJ-101X	C CAPACITOR				D 242	1SS133-T1	SI DIODE		
	C 571	QEKJ0JM-107Z	E CAPACITOR	100MF 20% 6.3V			D 243	1SS133-T1	SI DIODE		
	C 572	QEKJ0JM-107Z	E CAPACITOR	100MF 20% 6.3V			D 341	MA152WA-X	DIODE		
	C 573	NCB21HK-103X	C CAPACITOR				D 501	DSK10C-T1	DIODE		
	C 581	NCS21HJ-821X	C CAPACITOR				D 701	MA3062/H-X	ZENER DIODE		
	C 582	QEKJ1EM-475Z	E CAPACITOR	4.7MF 20% 25V			D 702	MA3062/H-X	ZENER DIODE		
	C 583	QEKJ0JM-476Z	E CAPACITOR	47MF 20% 6.3V			D 703	MA3062/H-X	ZENER DIODE		
	C 584	NCS21HJ-121X	C CAPACITOR				D 704	MA3056/M-X	ZENER DIODE		
	C 591	NCS21HJ-821X	C CAPACITOR				D 705	MA3056/M-X	ZENER DIODE		
	C 592	QEKJ1EM-475Z	E CAPACITOR	4.7MF 20% 25V			D 706	MA3056/M-X	ZENER DIODE		
	C 593	QEKJ0JM-476Z	E CAPACITOR	47MF 20% 6.3V			D 707	MA3056/M-X	ZENER DIODE		
	C 594	NCS21HJ-121X	C CAPACITOR				D 708	MA3056/M-X	ZENER DIODE		
	C 595	QEKJ1AM-107Z	E CAPACITOR	100MF 20% 10V			D 710	1SS133-T1	SI DIODE		
	C 596	NCB21HK-103X	C CAPACITOR				D 781	1SS133-T1	SI DIODE		
	C 701	NDC21HJ-220X	C CAPACITOR				D 782	1SS133-T1	SI DIODE		
	C 702	NDC21HJ-270X	C CAPACITOR				D 784	MA3110/M-X	ZENER DIODE		
	C 703	NDC21HJ-270X	C CAPACITOR				D 891	MA152WA-X	DIODE		
	C 704	NDC21HJ-8R0X	C CAPACITOR				D 901	1N5401-TU-15	DIODE		
	C 705	NCB21EK-473X	C CAPACITOR				D 902	MA152WA-X	DIODE		
	C 706	NCB21EK-473X	C CAPACITOR				D 971	CRS03-W	SB DIODE		
	C 707	NCB21EK-473X	C CAPACITOR				D 972	CRS03-W	SB DIODE		
	C 708	NCB21EK-473X	C CAPACITOR				IC 31	TB2118F-X	IC		
	C 709	NCB21HK-103X	C CAPACITOR				IC 71	SAA6579T-X	IC		
	C 710	QEKJ0JM-476Z	E CAPACITOR	47MF 20% 6.3V			IC161	TEA6320T-X	IC		
	C 711	QERF1AM-107Z	E CAPACITOR	100MF 20% 10V			IC301	LA4743B	IC		
	C 712	NCB21HK-103X	C CAPACITOR				IC501	LA6567H-X	IC		
	C 713	NCB21HK-103X	C CAPACITOR				IC521	TA2109F-X	IC		
	C 716	NCB21EK-104X	C CAPACITOR				IC541	TC9462F	IC		
	C 717	NCB21EK-104X	C CAPACITOR				IC581	NJM4565M-WE	IC		
	C 771	NCB21EK-473X	C CAPACITOR				IC701	UPD784215AGC126	IC		
	C 781	QEKJ0JM-476Z	E CAPACITOR	47MF 20% 6.3V			IC702	IC-PST600M/G-W	IC		
	C 782	NCB21EK-823X	C CAPACITOR				IC771	M24C16-WMN6-X	IC		
	C 784	QEKJ1CM-107Z	E CAPACITOR	100MF 20% 16V			IC901	BA4905-V3	IC		
	C 891	NCB21EK-104X	C CAPACITOR				J 1	QNZ0009-001	CAR ANT JACK		
	C 901	QEZ0338-228	E CAPACITOR	2200MF			J 321	QNN0170-001	PIN JACK (REEL)		
	C 902	QERF1HM-225Z	E CAPACITOR	2.2MF 20% 50V			L 1	QQL244J-4R7Z	INDUCTOR		
	C 903	QERF1CM-476Z	E CAPACITOR	47MF 20% 16V			L 541	QQL244J-4R7Z	INDUCTOR		
	C 904	QERF1CM-106Z	E CAPACITOR	10MF 20% 16V			L 542	QQL244J-4R7Z	INDUCTOR		
	C 905	QERF1CM-226Z	E CAPACITOR	22MF 20% 16V			L 701	QQL244K-4R7Z	INDUCTOR		
	C 906	NCB21HK-103X	C CAPACITOR				L 901	QQR0703-001	CHOKE COIL		
	C 907	QERF1AM-227Z	E CAPACITOR	220MF 20% 10V			PL701	QLL0033-001	LAMP		
	C 908	QERF1AM-227Z	E CAPACITOR	220MF 20% 10V			Q 1	2SD601A/R-X	TRANSISTOR		
	C 909	QERF1AM-227Z	E CAPACITOR	220MF 20% 10V			Q 2	2SD601A/R-X	TRANSISTOR		
	C 910	QERF1CM-476Z	E CAPACITOR	47MF 20% 16V			Q 3	UN2111-X	TRANSISTOR		
	C 911	NCB21CK-104X	C CAPACITOR				Q 4	UN2111-X	TRANSISTOR		
	C 912	NCB21HK-103X	C CAPACITOR				Q 5	2SB709A/R-X	TRANSISTOR		
	C 961	NCS21HJ-101X	C CAPACITOR				Q 6	2SB815/7/-X	TRANSISTOR		
	C 962	NCS21HJ-101X	C CAPACITOR				Q 7	UN2211-X	TRANSISTOR		
	C 963	NCS21HJ-101X	C CAPACITOR				Q 9	UN2111-X	TRANSISTOR		
	C 964	NCS21HJ-101X	C CAPACITOR				Q 31	UN2211-X	TRANSISTOR		
	C 965	NCS21HJ-101X	C CAPACITOR				Q 51	2SC2412K/R/-X	TRANSISTOR		
	C 966	NCS21HJ-101X	C CAPACITOR				Q 52	2SC2412K/R/-X	TRANSISTOR		
	C 967	NCS21HJ-101X	C CAPACITOR				Q 53	UN2211-X	TRANSISTOR		
	C 968	NCS21HJ-101X	C CAPACITOR				Q 81	2SD601A/R-X	TRANSISTOR		

■ Electrical parts list (Main board)

Block No. 01

△	Item	Parts number	Parts name	Remarks	Area	△	Item	Parts number	Parts name	Remarks	Area
	Q 91	2SD601A/R/-X	TRANSISTOR				R 174	NRSA02J-473X	MG RESISTOR		
	Q 241	2SD601A/R/-X	TRANSISTOR				R 175	NRSA02J-473X	MG RESISTOR		
	Q 341	2SD1048/6-7/-X	TRANSISTOR				R 181	NRSA02J-271X	MG RESISTOR		
	Q 351	2SD1048/6-7/-X	TRANSISTOR				R 182	NRSA02J-271X	MG RESISTOR		
	Q 501	2SB1322/RS/-T	TRANSISTOR				R 241	NRSA02J-473X	MG RESISTOR		
	Q 521	2SB1322/RS/-T	TRANSISTOR				R 242	NRSA02J-223X	MG RESISTOR		
	Q 781	UN2111-X	TRANSISTOR				R 243	NRSA02J-184X	MG RESISTOR		
	Q 782	UN2211-X	TRANSISTOR				R 244	NRSA02J-123X	MG RESISTOR		
	Q 784	UN2111-X	TRANSISTOR				R 245	NRSA02J-101X	MG RESISTOR		
	Q 891	UN2211-X	TRANSISTOR				R 246	NRSA02J-102X	MG RESISTOR		
	Q 902	2SB709A/R/-X	TRANSISTOR				R 247	NRSA02J-274X	MG RESISTOR		
	Q 903	UN2213-X	TRANSISTOR				R 301	NRSA02J-273X	MG RESISTOR		
	Q 976	UN2211-X	TRANSISTOR				R 302	NRSA02J-273X	MG RESISTOR		
	Q 977	2SA1037AK/RS/-X	SI.TRANSISTOR				R 311	NRSA02J-273X	MG RESISTOR		
	R 1	NRS181J-8R2X	MG RESISTOR				R 312	NRSA02J-273X	MG RESISTOR		
	R 2	NRSA02J-473X	MG RESISTOR				R 341	NRSA02J-222X	MG RESISTOR		
	R 3	NRSA02J-472X	MG RESISTOR				R 342	NRSA02J-821X	MG RESISTOR		
	R 4	NRSA02J-332X	MG RESISTOR				R 343	NRSA02J-101X	MG RESISTOR		
	R 5	NRSA02J-473X	MG RESISTOR				R 351	NRSA02J-222X	MG RESISTOR		
	R 6	NRSA02J-473X	MG RESISTOR				R 352	NRSA02J-821X	MG RESISTOR		
	R 7	NRSA02J-472X	MG RESISTOR				R 353	NRSA02J-101X	MG RESISTOR		
	R 9	NRSA02J-0R0X	MG RESISTOR				R 501	NRSA02J-822X	MG RESISTOR		
	R 31	NRS181J-100X	MG RESISTOR				R 502	NRSA02J-562X	MG RESISTOR		
	R 32	NRSA02J-622X	MG RESISTOR				R 503	NRSA02J-242X	MG RESISTOR		
	R 33	NRSA02J-473X	MG RESISTOR				R 504	NRSA02J-203X	MG RESISTOR		
	R 34	NRSA02J-222X	MG RESISTOR				R 505	NRS181J-0R0X	MG RESISTOR		
	R 35	NRSA02J-222X	MG RESISTOR				R 506	NRS181J-822X	MG RESISTOR		
	R 36	NRSA02J-222X	MG RESISTOR				R 507	NRS181J-203X	MG RESISTOR		
	R 37	NRSA02J-222X	MG RESISTOR				R 521	NRSA02J-473X	MG RESISTOR		
	R 38	NRSA02J-101X	MG RESISTOR				R 522	NRSA02J-473X	MG RESISTOR		
	R 39	NRSA02J-0R0X	MG RESISTOR				R 523	NRSA02J-473X	MG RESISTOR		
	R 40	NRSA02J-393X	MG RESISTOR				R 524	NRSA02J-473X	MG RESISTOR		
	R 41	NRSA02J-103X	MG RESISTOR				R 525	NRSA02J-104X	MG RESISTOR		
	R 42	NRS181J-100X	MG RESISTOR				R 526	NRSA02J-104X	MG RESISTOR		
	R 43	NRSA02J-471X	MG RESISTOR				R 527	NRSA02J-220X	MG RESISTOR		
	R 44	NRSA02J-221X	MG RESISTOR				R 528	NRSA02J-220X	MG RESISTOR		
	R 51	NRSA02J-223X	MG RESISTOR				R 529	NRSA02J-273X	MG RESISTOR		
	R 52	NRSA02J-473X	MG RESISTOR				R 530	NRSA02J-473X	MG RESISTOR		
	R 53	NRSA02J-473X	MG RESISTOR				R 531	NRSA02J-222X	MG RESISTOR		
	R 54	NRSA02J-103X	MG RESISTOR				R 532	NRSA02J-153X	MG RESISTOR		
	R 55	NRSA02J-222X	MG RESISTOR				R 533	NRSA02J-682X	MG RESISTOR		
	R 56	NRSA02J-103X	MG RESISTOR				R 534	NRSA02J-473X	MG RESISTOR		
	R 57	NRSA02J-153X	MG RESISTOR				R 541	NRSA02J-472X	MG RESISTOR		
	R 58	NRSA02J-471X	MG RESISTOR				R 542	NRSA02J-472X	MG RESISTOR		
	R 59	NRSA02J-473X	MG RESISTOR				R 543	NRSA02J-472X	MG RESISTOR		
	R 71	NRSA02J-222X	MG RESISTOR				R 544	NRSA02J-472X	MG RESISTOR		
	R 72	NRSA02J-222X	MG RESISTOR				R 545	NRSA02J-103X	MG RESISTOR		
	R 73	NRSA02J-222X	MG RESISTOR				R 546	NRSA02J-103X	MG RESISTOR		
	R 74	NRSA02J-101X	MG RESISTOR				R 547	NRSA02J-473X	MG RESISTOR		
	R 81	NRSA02J-392X	MG RESISTOR				R 548	NRSA02J-683X	MG RESISTOR		
	R 82	NRSA02J-273X	MG RESISTOR				R 549	NRSA02J-474X	MG RESISTOR		
	R 83	NRSA02J-472X	MG RESISTOR				R 550	NRSA02J-333X	MG RESISTOR		
	R 91	NRSA02J-392X	MG RESISTOR				R 551	NRSA02J-103X	MG RESISTOR		
	R 92	NRSA02J-273X	MG RESISTOR				R 552	NRSA02J-152X	MG RESISTOR		
	R 93	NRSA02J-472X	MG RESISTOR				R 553	NRSA02J-153X	MG RESISTOR		
	R 161	NRSA02J-334X	MG RESISTOR				R 554	NRSA02J-332X	MG RESISTOR		
	R 162	NRSA02J-223X	MG RESISTOR				R 555	NRSA02J-332X	MG RESISTOR		
	R 163	NRSA02J-222X	MG RESISTOR				R 556	NRSA02J-682X	MG RESISTOR		
	R 164	NRSA02J-473X	MG RESISTOR				R 557	NRSA02J-152X	MG RESISTOR		
	R 165	NRSA02J-473X	MG RESISTOR				R 558	NRS181J-101X	MG RESISTOR		
	R 171	NRSA02J-334X	MG RESISTOR				R 581	NRSA02J-243X	MG RESISTOR		
	R 172	NRSA02J-223X	MG RESISTOR				R 582	NRSA02J-223X	MG RESISTOR		
	R 173	NRSA02J-222X	MG RESISTOR				R 583	NRSA02J-223X	MG RESISTOR		

■ Electrical parts list (Main board)

Block No. 01

△	Item	Parts number	Parts name	Remarks	Area
	R 584	NRSA02J-333X	MG RESISTOR		
	R 585	NRSA02J-123X	MG RESISTOR		
	R 586	NRSA02J-152X	MG RESISTOR		
	R 591	NRSA02J-243X	MG RESISTOR		
	R 592	NRSA02J-223X	MG RESISTOR		
	R 593	NRSA02J-223X	MG RESISTOR		
	R 594	NRSA02J-333X	MG RESISTOR		
	R 595	NRSA02J-123X	MG RESISTOR		
	R 596	NRSA02J-152X	MG RESISTOR		
	R 701	NRSA02J-473X	MG RESISTOR		
	R 702	NRSA02J-0R0X	MG RESISTOR		
	R 703	NRSA02J-0R0X	MG RESISTOR		
	R 704	NRSA02J-473X	MG RESISTOR		
	R 705	NRSA02J-473X	MG RESISTOR		
	R 706	NRSA02J-473X	MG RESISTOR		
	R 707	NRSA02J-473X	MG RESISTOR		
	R 708	NRSA02J-473X	MG RESISTOR		
	R 709	NRSA02J-473X	MG RESISTOR		
	R 710	NRSA02J-0R0X	MG RESISTOR		
	R 711	NRSA02J-0R0X	MG RESISTOR		
	R 712	NRSA02J-0R0X	MG RESISTOR		
	R 713	NRSA02J-0R0X	MG RESISTOR		
	R 714	NRSA02J-473X	MG RESISTOR		
	R 715	NRSA02J-0R0X	MG RESISTOR		
	R 716	NRSA02J-0R0X	MG RESISTOR		
	R 719	NRSA02J-0R0X	MG RESISTOR		
	R 720	NRSA02J-122X	MG RESISTOR		
	R 721	NRSA02J-102X	MG RESISTOR		
	R 722	NRSA02J-103X	MG RESISTOR		
	R 723	NRSA02J-103X	MG RESISTOR		
	R 724	NRSA02J-0R0X	MG RESISTOR		
	R 725	NRSA02J-103X	MG RESISTOR		
	R 726	NRSA02J-103X	MG RESISTOR		
	R 728	NRSA02J-103X	MG RESISTOR		
	R 729	NRSA02J-473X	MG RESISTOR		
	R 730	NRSA02J-103X	MG RESISTOR		
	R 731	NRSA02J-473X	MG RESISTOR		
	R 732	NRSA02J-103X	MG RESISTOR		
	R 734	NRSA02J-222X	MG RESISTOR		
	R 735	NRSA02J-222X	MG RESISTOR		
	R 736	NRSA02J-222X	MG RESISTOR		
	R 737	NRSA02J-0R0X	MG RESISTOR		
	R 738	NRSA02J-472X	MG RESISTOR		
	R 740	NRSA02J-472X	MG RESISTOR		
	R 741	NRSA02J-103X	MG RESISTOR		
	R 742	NRSA02J-103X	MG RESISTOR		
	R 743	NRSA02J-103X	MG RESISTOR		
	R 744	NRSA02J-103X	MG RESISTOR		
	R 745	NRSA02J-103X	MG RESISTOR		
	R 746	NRSA02J-103X	MG RESISTOR		
	R 747	NRSA02J-472X	MG RESISTOR		
	R 748	NRSA02J-472X	MG RESISTOR		
	R 749	NRSA02J-472X	MG RESISTOR		
	R 750	NRSA02J-103X	MG RESISTOR		
	R 752	NRSA02J-473X	MG RESISTOR		
	R 753	NRSA02J-473X	MG RESISTOR		
	R 754	NRSA02J-821X	MG RESISTOR		
	R 755	NRSA02J-106X	MG RESISTOR		
	R 756	NRSA02J-473X	MG RESISTOR		
	R 757	NRSA02J-222X	MG RESISTOR		
	R 758	NRSA02J-473X	MG RESISTOR		
	R 760	NRSA02J-473X	MG RESISTOR		
	R 763	NRSA02J-102X	MG RESISTOR		

△	Item	Parts number	Parts name	Remarks	Area
	R 771	NRSA02J-271X	MG RESISTOR		
	R 772	NRSA02J-271X	MG RESISTOR		
	R 783	NRSA02J-472X	MG RESISTOR		
	R 784	NRSA02J-473X	MG RESISTOR		
	R 801	NRSA02J-473X	MG RESISTOR		
	R 802	NRSA02J-473X	MG RESISTOR		
	R 804	NRSA02J-223X	MG RESISTOR		
	R 807	NRSA02J-104X	MG RESISTOR		
	R 809	NRSA02J-223X	MG RESISTOR		
	R 872	NRSA02J-473X	MG RESISTOR		
	R 891	NRSA02J-102X	MG RESISTOR		
	R 892	NRSA02J-473X	MG RESISTOR		
	R 901	QRE142J-102X	C RESISTOR	1.0K 5% 1/4W	
	R 902	NRSA02J-912X	MG RESISTOR		
	R 903	NRSA02J-472X	MG RESISTOR		
	R 907	NRSA02J-473X	MG RESISTOR		
	R 908	NRSA02J-222X	MG RESISTOR		
	R 971	NRS181J-222X	MG RESISTOR		
	R 972	NRS181J-222X	MG RESISTOR		
	R 976	NRSA02J-273X	MG RESISTOR		
	R 977	NRSA02J-123X	MG RESISTOR		
	S 701	QSW0451-001	DETECT SW	DETACH	
	S 702	QSW0451-001	DETECT SW	OPEN	
	TU 1	QAU0156-002	TUNER		
	X 31	QAX0616-001Z	CRYSTAL		
	X 71	QAX0263-001Z	CRYSTAL		
	X 541	QAX0413-001Z	CRYSTAL		
	X 701	QAX0617-001Z	CRYSTAL		
	X 702	QAX0401-001	CRYSTAL		

■ Electrical parts list (Switch board)

Block No. 02

△	Item	Parts number	Parts name	Remarks	Area
	C 601	NBE20JM-475X	TS E CAPACITOR		
	C 602	NCB21HK-103X	C CAPACITOR		
	C 603	NCS21HJ-221X	C CAPACITOR		
	C 604	NCB21CK-224X	C CAPACITOR		
	C 605	NCB21CK-224X	C CAPACITOR		
	CN601	QNZ0006-001	CAR CONNECTOR		
	D 601	SML-310LT/MN/-X	LED		
	D 602	SML-310VT/JK/-X	LED		
	D 603	SML-310VT/JK/-X	LED		
	D 604	SML-310VT/JK/-X	LED		
	D 605	SML-310VT/JK/-X	LED		
	D 606	SML-310VT/JK/-X	LED		
	D 607	SML-310VT/JK/-X	LED		
	D 608	SML-310VT/JK/-X	LED		
	D 609	SML-310VT/JK/-X	LED		
	D 610	SML-310VT/JK/-X	LED		
	D 611	SML-310VT/JK/-X	LED		
	D 612	SML-310VT/JK/-X	LED		
	D 613	SML-310VT/JK/-X	LED		
	D 614	SML-310VT/JK/-X	LED		
	D 615	SML-310VT/JK/-X	LED		
	D 616	SML-310VT/JK/-X	LED		
	D 617	SML-310VT/JK/-X	LED		
	D 618	SML-310VT/JK/-X	LED		
	D 619	SML-310VT/JK/-X	LED		
	D 620	SML-310VT/JK/-X	LED		
	D 621	SML-310VT/JK/-X	LED		
	D 622	SML-310VT/JK/-X	LED		
	D 623	SML-310VT/JK/-X	LED		
	D 624	LNJ308G81/1-3/X	LED		
	D 625	SML-310VT/JK/-X	LED		
	D 626	SML-310VT/JK/-X	LED		
	D 627	SML-310VT/JK/-X	LED		
	D 641	NSPW310BS/BRS/	LED		
	D 642	NSPW310BS/BRS/	LED		
	D 643	NSPW310BS/BRS/	LED		
	D 651	MA3051/M/-X	ZENER DIODE		
	D 652	MA152WK-X	SI DIODE		
	D 653	MA152WA-X	DIODE		
	D 654	MA152WK-X	SI DIODE		
	D 655	MA152WA-X	DIODE		
	D 656	MA152WK-X	SI DIODE		
	EN601	QSW0863-001	JOE SHUTTLE SW		
	IC601	LC75873NW	IC		
	R 601	NRSA02J-821X	MG RESISTOR		
	R 602	NRSA02J-821X	MG RESISTOR		
	R 603	NRSA02J-122X	MG RESISTOR		
	R 604	NRSA02J-182X	MG RESISTOR		
	R 605	NRSA02J-272X	MG RESISTOR		
	R 606	NRS181J-821X	MG RESISTOR		
	R 607	NRSA02J-821X	MG RESISTOR		
	R 608	NRSA02J-122X	MG RESISTOR		
	R 609	NRSA02J-182X	MG RESISTOR		
	R 610	NRSA02J-272X	MG RESISTOR		
	R 611	NRSA02J-392X	MG RESISTOR		
	R 612	NRSA02J-821X	MG RESISTOR		
	R 613	NRSA02J-821X	MG RESISTOR		
	R 614	NRSA02J-122X	MG RESISTOR		
	R 615	NRSA02J-182X	MG RESISTOR		
	R 616	NRSA02J-272X	MG RESISTOR		
	R 620	NRS181J-561X	MG RESISTOR		
	R 621	NRS181J-271X	MG RESISTOR		
	R 622	NRS181J-271X	MG RESISTOR		

△	Item	Parts number	Parts name	Remarks	Area
	R 623	NRS181J-271X	MG RESISTOR		
	R 624	NRS181J-271X	MG RESISTOR		
	R 625	NRS181J-431X	MG RESISTOR		
	R 626	NRS181J-271X	MG RESISTOR		
	R 627	NRS181J-271X	MG RESISTOR		
	R 628	NRS181J-561X	MG RESISTOR		
	R 629	NRS181J-561X	MG RESISTOR		
	R 630	NRS181J-271X	MG RESISTOR		
	R 641	NRS181J-102X	MG RESISTOR		
	R 642	NRS181J-102X	MG RESISTOR		
	R 643	NRS181J-102X	MG RESISTOR		
	R 644	NRS181J-0R0X	MG RESISTOR		
	R 650	NRSA02J-101X	MG RESISTOR		
	R 651	NRSA02J-473X	MG RESISTOR		
	R 652	NRSA02J-473X	MG RESISTOR		
	R 653	NRS181J-102X	MG RESISTOR		
	R 654	NRSA02J-221X	MG RESISTOR		
	R 655	NRSA02J-394X	MG RESISTOR		
	R 656	NRSA02J-334X	MG RESISTOR		
	R 661	NRSA02J-332X	MG RESISTOR		
	R 662	NRSA02J-332X	MG RESISTOR		
	R 663	NRSA02J-332X	MG RESISTOR		
	R 669	NRSA02J-103X	MG RESISTOR		
	R 670	NRSA02J-103X	MG RESISTOR		
	R 671	NRSA02J-103X	MG RESISTOR		
	S 601	NSW0066-001X	TACT SWITCH		
	S 602	NSW0066-001X	TACT SWITCH		
	S 603	NSW0066-001X	TACT SWITCH		
	S 604	NSW0066-001X	TACT SWITCH		
	S 605	NSW0066-001X	TACT SWITCH		
	S 606	NSW0066-001X	TACT SWITCH		
	S 607	NSW0066-001X	TACT SWITCH		
	S 608	NSW0066-001X	TACT SWITCH		
	S 609	NSW0066-001X	TACT SWITCH		
	S 610	NSW0066-001X	TACT SWITCH		
	S 611	NSW0066-001X	TACT SWITCH		
	S 612	NSW0066-001X	TACT SWITCH		
	S 613	NSW0066-001X	TACT SWITCH		
	S 614	NSW0066-001X	TACT SWITCH		
	S 615	NSW0066-001X	TACT SWITCH		
	S 616	NSW0066-001X	TACT SWITCH		
	S 617	NSW0066-001X	TACT SWITCH		
	S 618	NSW0066-001X	TACT SWITCH		
	S 619	NSW0066-001X	TACT SWITCH		

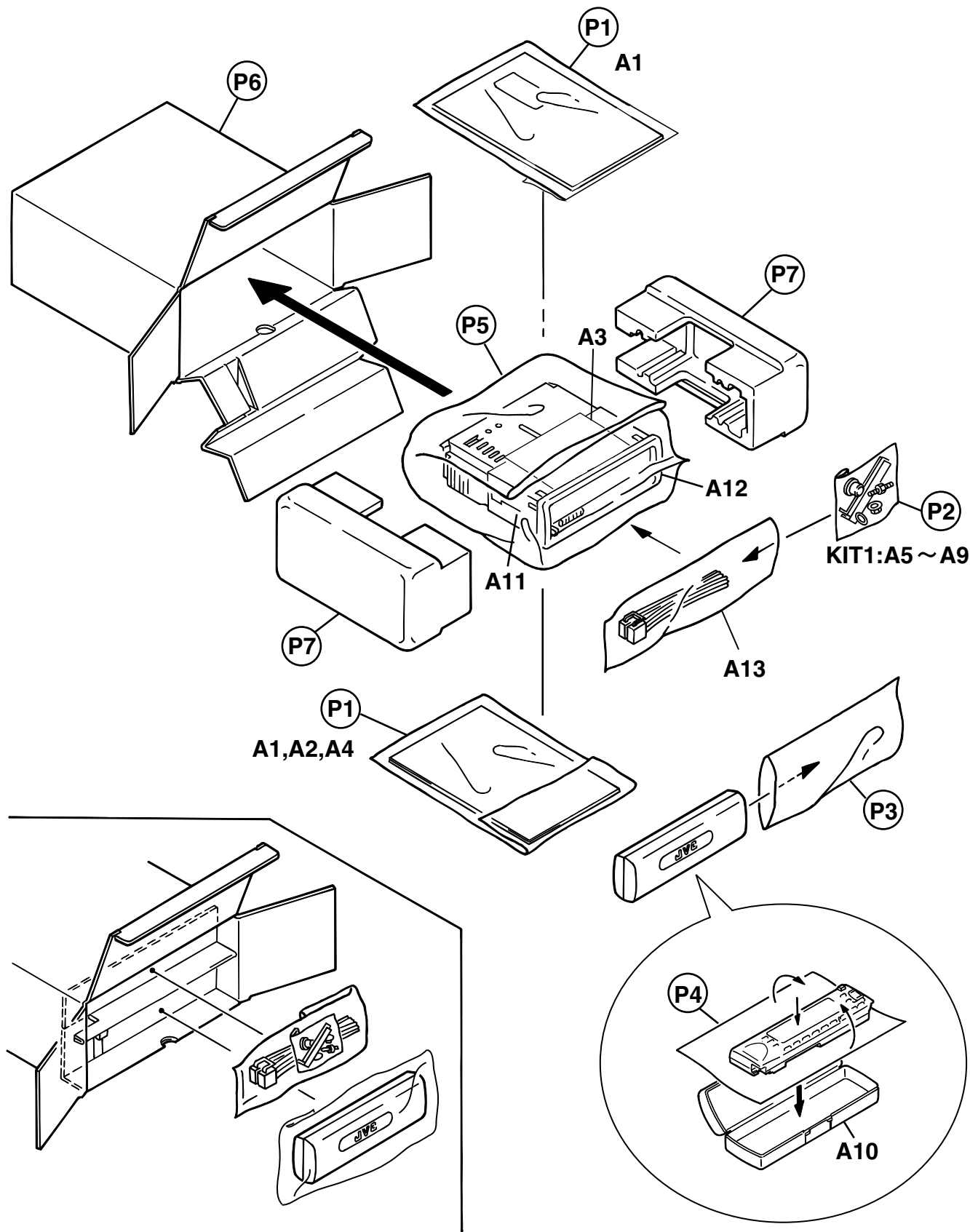
Packing materials and accessories parts list

Block No.

M	3	M	M
---	---	---	---

Block No.

M	4	M	M
---	---	---	---



■ Parts list (Packing)

Block No. M3MM

△	Item	Parts number	Parts name	Q'ty	Description	Area
	P 1	FSPG4002-001	POLY BAG	2	FOR INST.BOOK	
	P 2	QPA00801205	POLY BAG	1	FOR SCREW KIT	
	P 3	QPA01003003	POLY BAG	1	FOR HARD CASE	
	P 4	FSYH4036-068	SHEET	1		
	P 5	QPC03004315P	POLY BAG	1	FOR SET	
	P 6	GE30123-034A	PACKING CASE	1		
	P 7	GE10008-001A	PACKING CUSHION	2		

■ Parts list (Accessories)

Block No. M4MM

△	Item	Parts number	Parts name	Q'ty	Description	Area
	A 1	GET0007-001A	INST.BOOK	1	ENG, FRE, GER, DUT	
		GET0007-002A	INST.BOOK	1	FIN, ITA, SPA, SWE	
	A 2	GET0007-003A	INSTALL MANUAL	1	ENG, GER, FRE	
		GET0007-004A	INSTALL MANUAL	1	DUT, SPA, ITA	
		GET0007-005A	INSTALL MANUAL	1	SWE, FIN	
	A 3	LV40978-001A	CAUTION SHEET	1		
	A 4	BT-54013-1	WARRANTY CARD	1		
	A 5	VKZ4027-202	PLUG NUT	1		
	A 6	VKH4871-001SS	MOUNT BOLT	1		
	A 7	VKZ4328-001	LOCK NUT	1		
	A 8	WNS5000Z	WASHER	1		
	A 9	FSKL4010-002	HOOK	2		
	A 10	FSJB3001-30C	HARD CASE	1		
	A 11	FSKM2004-202	MOUNTING SLEEVE	1		
	A 12	FSJD2034-001	TRIM PLATE	1		
	A 13	QAM0175-001	POWER CORD	1		
	KIT 1	KDGS717K-SCREW1	SCREW PARTS KIT	1	A5-A9	